

## Silverlink 600 Adjustable Salamander Grills

### Key Features

- Type: Electric
- Counter top or wall mounted unit
- Height adjustable grill hood
- 20 minute audible timer
- Height markings
- Supplied with removable crumb tray and toasting rack
- Nitrile rubber feet
- 1/1 GN compatible



AS3

### Construction

- Body: stainless steel grade 430
- Crumb tray: stainless steel grade 430
- Chrome plated toast rack
- Element: Incoloy

### Available Options

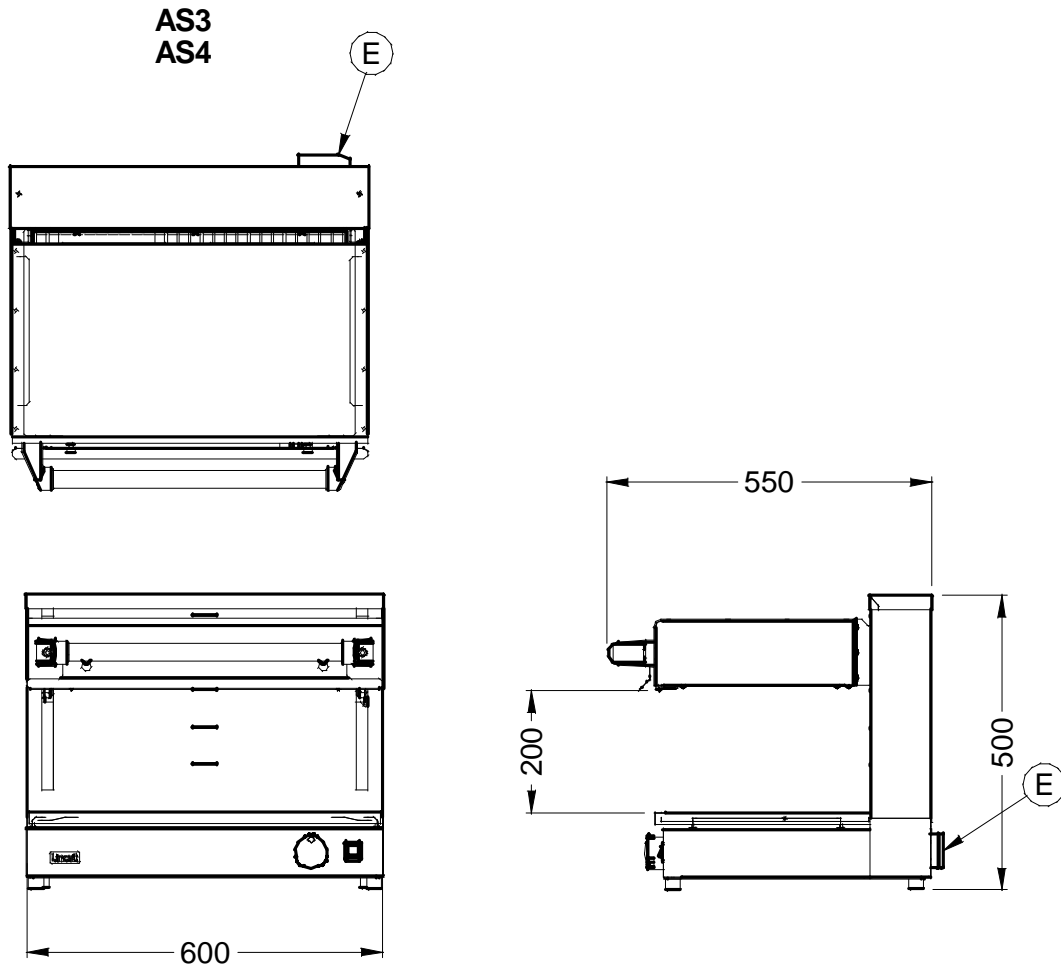
Choice of 2.8 kW and 4.5 kW units

### Available Accessories

- BR51 - Wall mounting brackets

## Specifications

Model	AS3	AS4
External height (mm)	500	500
External width (mm)	600	600
External depth (mm)	550	550
Dimensions of toast rack (mm) W x D	520 x 335	520 x 335
Net weight unpacked (kg)	45.2	45.2
Gross weight packed (kg)	51	51
Shipping volume (m <sup>3</sup> )	0.634	0.634
Total power rating (kW)	2.8	4.5
Electrical supply 1N~+E 230V 50-60Hz Current Rating (A)	12	20



Lincat Limited, Whisby Road,  
Lincoln LN6 3QZ,  
United Kingdom

UK Sales Tel: 01522 875500 UK Spares Tel: 01522 875510 UK General Tel: 01522 875555  
UK Fax: 01522 875530 International Sales Tel: +44 1522 503250 International Fax: +44 1522 875530  
Website: [www.lincat.co.uk](http://www.lincat.co.uk) UK Sales e-mail: [sales@lincat.co.uk](mailto:sales@lincat.co.uk) International Sales e-mail: [export@lincat.co.uk](mailto:export@lincat.co.uk)



Document ref:  
S-LINKADJSAL  
Issue date: Oct-09