



---

COUNTER SHOWCASE  
ARMOIRE VITREE  
THEKENSCHAUKASTEN  
TOONBANKVITRINE  
VITRINA PARA MOSTRADOR  
VETRINA ESPOSITIVA DA BANCO

**INSTRUCTION MANUAL  
NOTICE D'UTILISATION  
BEDIENUNGSANLEITUNG  
GEBRUIKSAANWIJZING  
MANUAL DE INSTRUCCIONES  
MANUALE D'ISTRUZIONI**

**HNC-120BE-L/R-B  
HNC-150BE-L/R-B  
HNC-180BE-L/R-B  
HNC-210BE-L/R-B  
HNC-120BE-L/R-S  
HNC-150BE-L/R-S  
HNC-180BE-L/R-S  
HNC-210BE-L/R-S**

## IMPORTANT SAFETY INFORMATION

Throughout this manual, notices appear to bring your attention to situations which could result in death, serious injury, or damage to the unit.

<b>WARNING</b>	Indicates a hazardous situation which, if not avoided, could result in death or serious injury.
<b>CAUTION</b>	Indicates a hazardous situation which, if not avoided, could result in minor or moderate injury.
<b>NOTICE</b>	Indicates a hazardous situation which, if not avoided, could result in damage to the unit.
<b>HYGIENE</b>	Indicates important precautions for hygiene and food safety.
<b>IMPORTANT</b>	Indicates important information about the use and care of the unit.

### IMPORTANT

This booklet is an integral and essential part of the product and should be kept and preserved by the user.

Please read carefully the guidelines and warnings contained herein as they are intended to provide the installer/user with essential information for the proper installation and the continued safe use and maintenance of the product.

Please preserve this booklet for any further consultation that may be necessary.

### WARNING

This is a counter showcase, and should be destined only to be used for the purpose for which it has been expressly designed.

Any other use should be considered improper and therefore dangerous. The manufacturer will not be held liable or responsible for any damage caused by improper, incorrect and unreasonable use.

**The installation, and relocation if necessary, must be carried out by qualified personnel**, in accordance with current regulations, according to the manufacturer's instructions.

Keep ventilation openings, in the appliance enclosure or in the built-in structure, clear of obstruction.

# ENGLISH

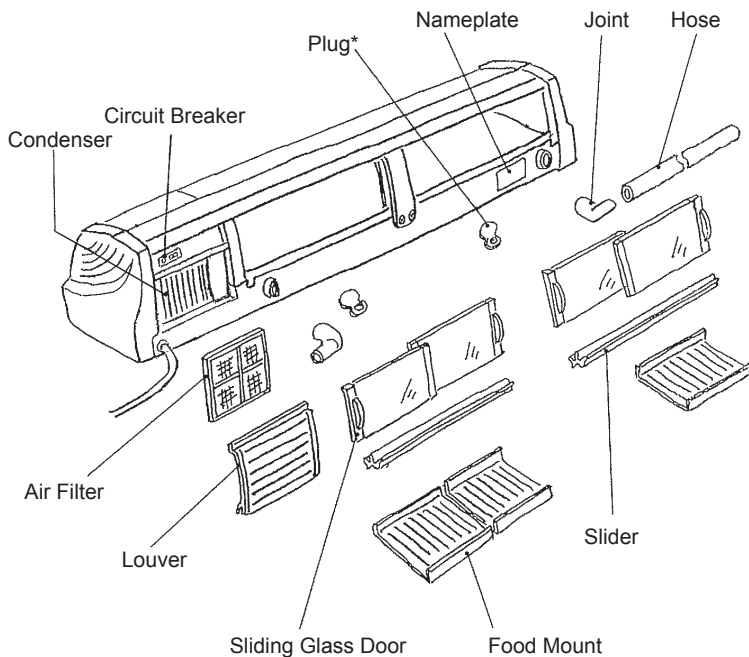
---

The use of any electrical appliance involves the observance of some fundamental rules. In particular:

- \* Instances of high humidity and moisture increase the risk of electrical short circuits and potential electrical shocks. If in doubt, disconnect the showcase.
- \* Do not damage the power cord or pull it in order to disconnect the showcase from the electrical supply network.
- \* If the supply cord and the plug should need to be replaced, it should only be done by a qualified service engineer in order to avoid a hazard.
- \* Do not touch the electrical parts or operate the switches with damp hands.
- \* This appliance can be used by children aged from 8 years and above and persons with reduced physical, sensory or mental capabilities, or lack of experience and knowledge if they have been given supervision or instruction concerning use of the appliance in a safe way and understand the hazards involved.
- \* Children shall not play with the appliance.
- \* Cleaning and user maintenance shall not be made by children without supervision.
- \* Do not attempt to modify the showcase. Only qualified personnel may disassemble or repair the appliance.
- \* Do not store any volatile or flammable substances such as benzine, ether, adhesives and LPG, or any explosive substances such as aerosol cans with a flammable propellant in the unit.

## I. GENERAL INFORMATION

### 1. CONSTRUCTION



\*Note: Always attach the two plugs to the drain holes located in the showcase.

**Fig. 1**

## II. INSTALLATION AND OPERATING INSTRUCTIONS

### 1. CHECKS BEFORE INSTALLATION

\*Visually inspect the exterior of the shipping container, and any severe damage noted should be reported to the carrier.

#### WARNING

Remove shipping carton, evaporator spacer, tape(s) and packing. If packing material is left in the showcase, it will not work properly.

#### IMPORTANT

Remove shipping tape holding the door.

- \* Remove the package containing accessories.
- \* See the nameplate on the rear of the showcase, and check that your voltage supplied corresponds with the voltage specified on the nameplate.

### 2. LOCATION

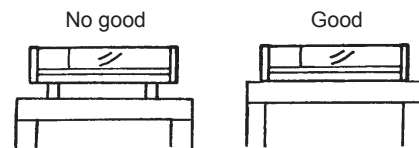
#### IMPORTANT

This showcase is not intended for outdoor use. Normal operating ambient temperature should be within 10°C to 30°C. Operation of the showcase, for extended periods, outside

of this normal temperature range may affect cooling performance.

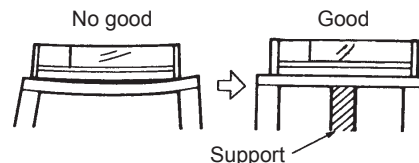
For best operating results:

- \* The showcase should not be located next to ovens, grills or other high heat producing equipment.
- \* The location should provide a firm foundation for the equipment across its entire bottom surface. Any unevenness or the insertion of packing resulting in only partial contact could result in the case becoming damaged or deformed causing a failure. The showcase should always be level from side to side and back to front.



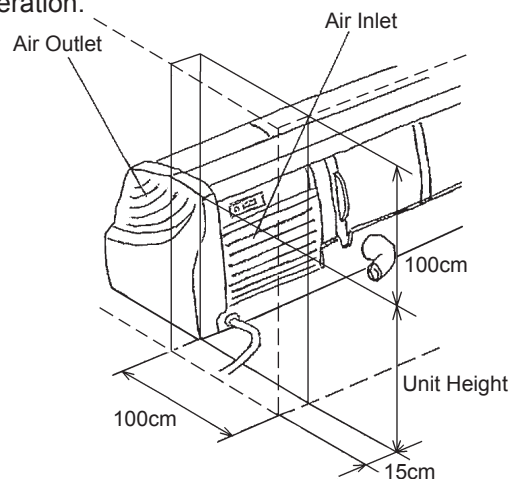
**Fig. 2**

If the foundation is not firm enough, it may warp and cause some space between its center and the showcase bottom. In this case, provide a support to keep the foundation level.



**Fig. 3**

- \* Avoid a site where dripping is not allowed.
- \* Do not expose the showcase to direct sunlight or higher temperatures to prevent damage to the plastic housing.
- \* Allow at least 15 cm clearance between the Condenser air outlet and the wall or other equipment for proper air circulation. The rear and top of the showcase should have enough space (at least 100 cm) for proper air circulation and smooth operation.



**Fig. 4**

# ENGLISH

## 3. SET UP

### IMPORTANT

Carry the showcase by holding its bottom.

- 1) Unpack the showcase, and remove all shipping carton, evaporator spacer, tapes and packing BEFORE operating the unit. Be careful not to damage the exterior panels when handling the showcase.
- 2) Position the showcase in a selected site. Clean the interior with soap and water and rinse thoroughly.
- 3) Level the showcase in both the left-to-right and the front-to-rear directions.
- 4) The perimeter where the machine touches the counter should be sealed with silicone.

## 4. ELECTRICAL CONNECTIONS

This showcase must be plugged into the separated power receptacle which has enough capacity. The maximum allowable voltage variation should not exceed  $\pm 6$  percent of the nameplate rating. See the nameplate.

## 5. DRAIN CONNECTIONS

- \* The hose may be connected to either right or left joint, whichever is convenient.
- \* The joint must be tilted as shown below to turn the hose connection downward.
- \* Keep more than 5 cm air gap between the vertical drain pipe end and the sink.

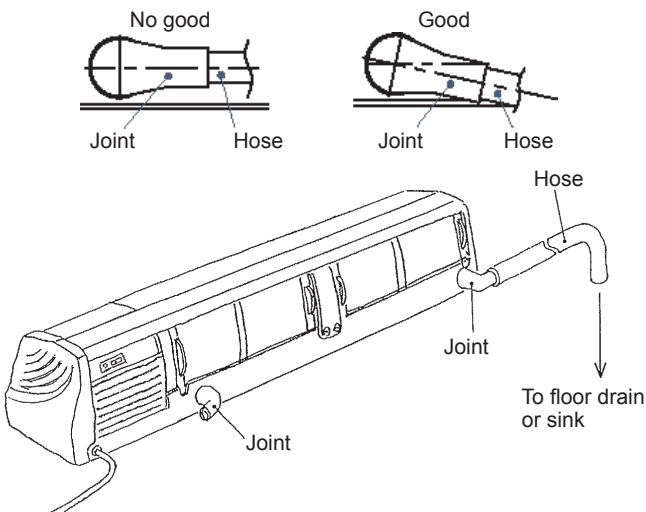


Fig. 5

## 6. FINAL CHECK LIST

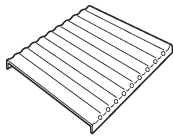
- 1) Is the showcase level?
- 2) Is the showcase in a site where the ambient temperature is within 10°C to 30°C all year around?
- 3) Have all shipping carton, evaporator spacer, tape(s) and packing been removed from the showcase?
- 4) Have all electrical and piping connections been made?
- 5) Has the power supply voltage been tested or checked against the nameplate rating?
- 6) Has the user been given the instruction manual and instructed on how to operate the showcase and the importance of periodic maintenance recommended?
- 7) Has the user been given the name and telephone number of the authorized service agency?

## 7. START UP

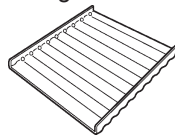
### IMPORTANT

1. Be careful not to let water into the machine compartment and over the exterior. This might cause an electric shock hazard.
2. Be sure to prechill the showcase before putting foods in. Store only pre-refrigerated items in the showcase. It takes longer for foods to cool in the showcase than in a refrigerator. After service hours, move foods into a refrigerator.
3. Only open the doors when necessary and do not leave them open as the interior temperature may rise, resulting in food deterioration.
4. Before unplugging the showcase for defrosting, first remove the items inside to protect them from drops of defrost water.
5. It is normal to find condensation on the showcase in humid or rainy weather. Simply wipe it off with a soft cloth from time to time.
6. Control the food temperature by placing the food mounts as follows:

Normal condition  
or when food temp.  
is too low



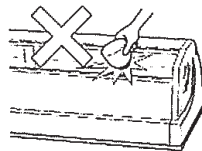
For more intensive  
cooling



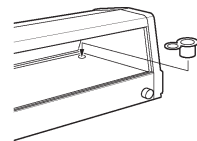
7. The maximum safe height for displaying food products is 9 cm above the interior bottom. Food products should not be placed above this height as they may not remain cold enough to avoid spoilage.

8. If the showcase is turned off, wait for at least 3 minutes before restarting the showcase. Otherwise the thermal motor protector may operate and allow defrost water to drip onto the items inside. The thermal motor protector will reset automatically in 30 minutes.

9. To prevent damage to the glass parts, do not place or hit any tableware, bottles or edged tools directly on the glass surfaces. Even a tiny flaw may grow into a crack (a few days) later.



10. To avoid entrance of vermin during operation, the two drain outlets, on the right and left under the food mounts must always have the drain plugs fitted.



- 1) Clean inside the showcase.
  - 2) Plug in the showcase, and turn on the circuit breaker.
- \* When not in use, dry the showcase thoroughly and store it in a dry place.

### III. MAINTENANCE AND CLEANING INSTRUCTIONS

#### IMPORTANT

1. Before carrying out any cleaning or maintenance operations, unplug the showcase.
2. Do not disassemble the showcase further than illustrated in Fig. 1.
3. Do not touch or wet the machine compartment parts. This could result in failure or breakdown.

4. To prevent possible damage, do not clean the plastic parts with water above 40°C or in a dishwasher.

### 1. INTERIOR/EXTERIOR

- \* Clean the interior and food mounts every day for sanitary use.
- \* Clean off the exterior with a soft cloth soaked in warm water containing a neutral cleaner and wrung dry. Do not use a water jet to clean the exterior.
- \* Use only a neutral cleaner. Other chemical agents might cause damage to the interior and exterior surfaces.

Note: To prevent damage to the part surfaces and the coating on the evaporator, do not use a scourer on the interior/exterior surfaces.

### 2. DRAIN PIPE CLEANING

- 1) Either mix 1 liter of water with 3.7 ml of 5.25% sodium hypochlorite solution in a suitable container, or the recommended Hoshizaki sanitizer as directed.
- 2) Disconnect the hose from the joint.
- 3) Turn up the end of the two joints .
- 4) Slowly pour the sanitizing solution into the drain water circuit from the joints.
- 5) Wait for 5 minutes, and turn down the end of the joints to drain the solution.
- 6) Leave the drain water circuit to dry out.

### 3. AIR FILTER

A plastic mesh air filter removes dirt or dust from the air, and keeps the condenser from getting clogged. If the filter gets clogged, the showcase's performance will be reduced. Check the filter at least twice a month. When clogged, use warm water and a neutral cleaner to wash the filter.

- 1) Hold the tabs located at the bottom of the louver, and lift them up to release the louver from the body.
- 2) Pull the louver toward you.
- 3) Pull out the louver downward.

# ENGLISH

- 4) Grasp the frame of the air filter, and pull it toward you.
- 5) Clean the air filter.
- 6) Refit the air filter and louver in the reverse order of the removal procedure.

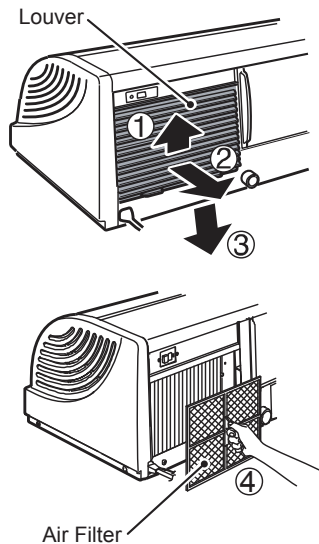


Fig. 6

## 4. CONDENSER

### IMPORTANT

To prevent possible injury, do not touch the condenser fins with hands. Use a brush or vacuum cleaner to clean the condenser.

Check the condenser once a year, and clean if required by using a brush or vacuum cleaner. More frequent cleaning may be required depending on the location of the showcase.

## 5. CHECKING CIRCUIT BREAKER

Push the test button at least once a month to simulate an earth leakage on the load circuit.

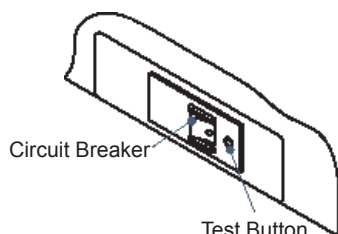


Fig. 7

## IV. WARRANTY

Hoshizaki warrants to the original owner/user that all Hoshizaki branded products shall be free of defects in material and/or workmanship for the duration of the "warranty period". The warranty shall be effective for one year from the date of installation. Hoshizaki's liability under the terms of the warranty are limited and shall exclude routine servicing, cleaning, essential maintenance and/or repairs occasioned by misuse and installations not in accordance with Hoshizaki guidelines.

Warranty repairs should be completed by an approved Hoshizaki dealer or service agency using genuine Hoshizaki components.

To obtain full details of your warranty and approved service agency, please contact your dealer/supplier, or the nearest Hoshizaki Service office:

### Europe, Middle East, Africa

Hoshizaki UK - UK, Ireland  
TEL: +44 845 456 0585  
FAX: +44 132 283 8331  
uksales@hoshizaki.co.uk

Hoshizaki Deutschland - Germany, Switzerland, Austria  
TEL: +49 2154 92810  
FAX: +49 2154 928128  
info@hoshizaki.de

Hoshizaki France - France  
TEL: +33 1 48 63 93 80  
FAX: +33 1 48 63 93 88  
info@hoshizaki.fr

Hoshizaki Iberia - Spain, Portugal  
TEL: +34 93 478 09 52  
FAX: +34 93 478 08 00  
info@hoshizaki.es

Hoshizaki Middle East - Middle East  
TEL: +971 48 876 612  
FAX: +971 48 876 613  
sales@hoshizaki.ae

Hoshizaki Nederland & België - Netherlands, Belgium, Luxembourg  
TEL: +31 20 5650420 (Nederland)  
TEL: +32 2 712 30 30 (België)  
FAX: +31 20 6918768  
sales@hoshizaki.nl (Nederland)  
info@hoshizaki.be (België)

Hoshizaki Europe B.V. - all other countries within Europe and Africa  
TEL: +31 20 6918499  
FAX: +31 20 6918768  
sales@hoshizaki.nl



## Asia, Oceania

Hoshizaki Singapore  
TEL: +65 6225 2612  
FAX: +65 6225 3219

Hoshizaki Taiwan  
TEL: +886 2 2748 1589  
FAX: +886 2 2747 1559

Hoshizaki Hong Kong  
TEL: +852 2866-2108  
FAX: +852 2866-2109

Hoshizaki Lancer  
TEL: +61 8 8268 1388  
FAX: +61 8 8268 1978

**This product meets the essential health and safety requirements demanded by the following regulations:**

**EMC Directive (2004/108/EC)**  
**Low Voltage Directive (2006/95/EC)**  
**RoHS Directive (2011/65/EU)**

**Authorized Representative:**  
**Hoshizaki Europe B.V.**  
**Keienbergweg 50 C/D, 1101 GC Amsterdam, The Netherlands**

## **V. DISPOSAL**

Comply with local regulations regarding disposal of the appliance for its flammable refrigerant. Before you scrap the appliance, take off the door to prevent children trapped.

Correct disposal of this product:

This marking indicates that this product should not be disposed with other household wastes throughout the EU. To prevent possible harm to the environment or human health from uncontrolled waste disposal, recycle it responsibly to promote the sustainable reuse of material resources. To return your used device, use the return and collection systems or contact the retailer where the product was purchased. They can take this product for environmental safe recycling.



**This product includes a hermetically sealed refrigeration system that contains fluorinated greenhouse gases covered by the Kyoto Protocol:**

<b>HNC-120BE-L/R-B</b>	<b>R134a / GWP 1430 / 0.08kg</b>
<b>HNC-150BE-L/R-B</b>	<b>R134a / GWP 1430 / 0.11kg</b>
<b>HNC-180BE-L/R-B</b>	<b>R134a / GWP 1430 / 0.14kg</b>
<b>HNC-210BE-L/R-B</b>	<b>R134a / GWP 1430 / 0.16kg</b>
<b>HNC-120BE-L/R-S</b>	<b>R134a / GWP 1430 / 0.08kg</b>
<b>HNC-150BE-L/R-S</b>	<b>R134a / GWP 1430 / 0.11kg</b>
<b>HNC-180BE-L/R-S</b>	<b>R134a / GWP 1430 / 0.14kg</b>
<b>HNC-210BE-L/R-S</b>	<b>R134a / GWP 1430 / 0.16kg</b>

**This product is insulated with foam blown with fluorinated greenhouse gases.**



# FRANÇAIS

## INFORMATIONS DE SECURITE IMPORTANTES

Tout au long de ce manuel, des avis attirent votre attention sur des situations qui pourraient entraîner la mort, des blessures graves ou des dégâts à l'appareil.

<b>AVERTISSEMENT</b>	Signale une situation dangereuse qui, si elle n'est pas évitée, peut entraîner des blessures graves voire mortelles.
<b>ATTENTION</b>	Signale une situation dangereuse qui, si elle n'est pas évitée, peut entraîner des blessures mineures ou modérées.
<b>AVIS</b>	Signale une situation dangereuse qui, si elle n'est pas évitée, peut entraîner des dégâts à l'appareil.
<b>HYGIENE</b>	Signale des précautions importantes à prendre en matière d'hygiène et de sécurité alimentaire.
<b>IMPORTANT</b>	Signale des informations importantes sur l'utilisation de l'appareil et son entretien.

### IMPORTANT

Ce livret est un élément essentiel qui fait partie intégrante du produit et il doit être conservé soigneusement par l'utilisateur.

Veillez lire attentivement les conseils et les avertissements qui s'y trouvent, car ils ont pour but de fournir à l'installateur et à l'utilisateur des informations essentielles pour une installation correcte, une utilisation en toute sécurité et un entretien adéquat du produit.

Veillez conserver précieusement ce livret pour toute référence ultérieure.

### AVERTISSEMENT

Cet appareil est une vitrine de comptoir et doit être uniquement utilisé dans le but pour lequel il a été conçu.

**L'installation, et le transfert le cas échéant, doivent être effectués par un personnel qualifié**, conformément aux réglementations en vigueur et aux consignes du fabricant.

Veillez à ce que les ouvertures de ventilation de l'enceinte de l'appareil et de la structure intégrée ne soient pas obstruées.

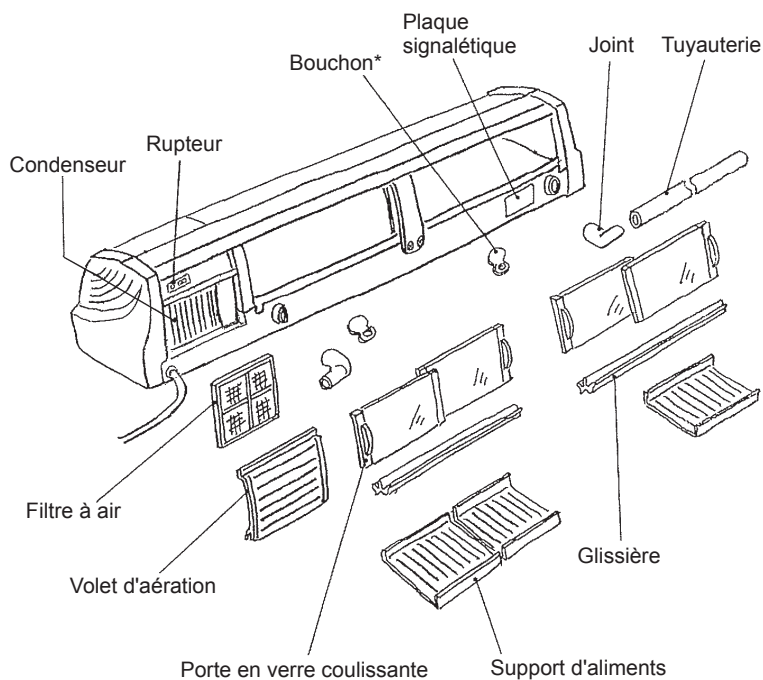
L'utilisation de tout appareil électrique implique le respect de certaines règles fondamentales. En particulier :

- \* En cas de forte humidité, les risques de court-circuit et d'électrocution augmentent. En cas de doute, débrancher la vitrine.
- \* Ne pas endommager le cordon d'alimentation et ne pas tirer sur le cordon d'alimentation pour débrancher la vitrine.
- \* Si le cordon et la fiche d'alimentation électrique sont à remplacer, l'opération doit être effectuée par un technicien qualifié, afin d'éviter tout danger.
- \* Ne pas toucher les pièces électriques ou les commutateurs avec les mains humides.
- \* Cette machine peut être utilisée par des enfants âgés de 8 ans et plus et par des personnes aux capacités physiques, sensorielles ou mentales réduites, ou par des personnes dont l'expérience et les connaissances sont limitées, dès lors qu'ils sont supervisés ou ont reçu des instructions relatives à l'utilisation de la machine en toute sécurité et qu'ils comprennent les dangers encourus.
- \* Les enfants ne doivent pas jouer avec la machine.
- \* Le nettoyage et l'entretien régulier ne doivent pas être effectués par des enfants sans surveillance.
- \* Ne pas tenter de modifier la vitrine. Cet appareil ne peut être démonté ou réparé que par du personnel qualifié.
- \* N'entreposez pas dans l'unité de substances inflammables volatiles telles que de l'essence, de l'éther, des produits adhésifs ou du GPL, ou des substances explosives telles que des aérosols avec gaz propulseur inflammable.

# FRANÇAIS

## I. INFORMATIONS GENERALES

### 1. CONSTRUCTION



\*Remarque : Attachez toujours les deux bouchons aux trous de vidange situés dans la vitrine.

Fig. 1

## II. CONSIGNES D'INSTALLATION ET D'UTILISATION

### 1. A CONTROLER AVANT L'INSTALLATION

\* Inspectez visuellement l'extérieur du conteneur de transport : tout dommage important doit être indiqué au transporteur.

#### AVERTISSEMENT

Enlevez le carton de transport, l'entretoise de l'évaporateur, le ruban adhésif et le matériel d'emballage. S'il reste des matériaux d'emballage dans la vitrine, elle ne fonctionnera pas correctement.

#### IMPORTANT

Enlevez le ruban adhésif qui retient la porte pour le transport.

\* Retirez le paquet contenant les accessoires.

\* Reportez-vous à la plaque signalétique située à l'arrière de la vitrine et vérifiez que la tension fournie correspond à celle indiquée sur la plaque signalétique.

## 2. EMPLACEMENT

### IMPORTANT

Cette vitrine n'a pas été conçue pour être utilisée à l'extérieur. La température ambiante de fonctionnement normal doit être comprise entre 10 °C et 30 °C. Faire fonctionner la vitrine pendant des périodes prolongées alors que la température ambiante est en dehors des limites de cette plage peut affecter la performance du refroidissement.

Pour un fonctionnement optimal :

- \* La vitrine ne doit pas être placée à proximité de fours, de grills ou de tout autre appareil source de forte chaleur.
- \* L'emplacement doit fournir une base ferme pour l'appareil sur l'ensemble de sa surface inférieure. Des irrégularités de surface ou l'insertion de cales entraînant un contact partiel pourrait endommager ou déformer la vitrine et provoquer une panne. La vitrine doit toujours être se trouver de niveau d'un côté à l'autre et de l'arrière à l'avant.

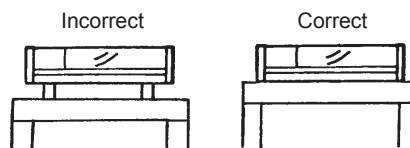


Fig. 2

Si la base n'est pas assez ferme, la vitrine peut se gauchir et provoquer l'apparition d'un espace entre son centre et le fond de la vitrine. Si tel est le cas, ajoutez un support pour maintenir la base de niveau.

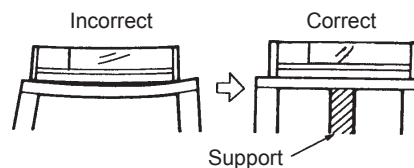


Fig. 3

- \* Evitez les emplacements où les écoulements d'eau sont interdits.
- \* N'exposez pas la vitrine aux rayons directs du soleil ni à des températures élevées afin de ne pas endommager le caisson en plastique.
- \* Prévoyez toujours un espace d'au moins 15 cm entre la sortie d'air du condenseur et le mur ou les autres appareils, afin d'assurer une circulation d'air correcte. L'arrière et le haut de la vitrine doivent disposer d'un espace suffisant (au moins 100 cm) pour que l'air puisse circuler correctement et l'appareil fonctionner normalement.

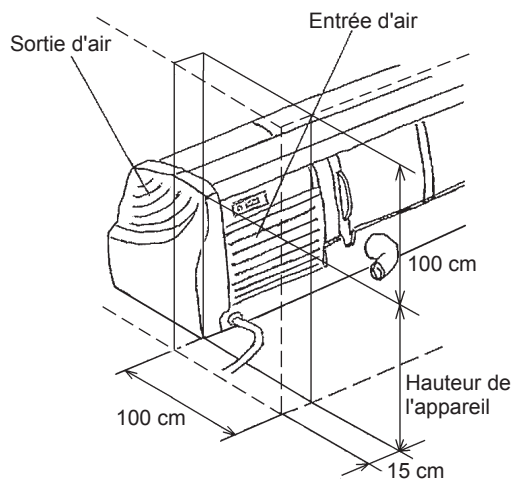


Fig. 4

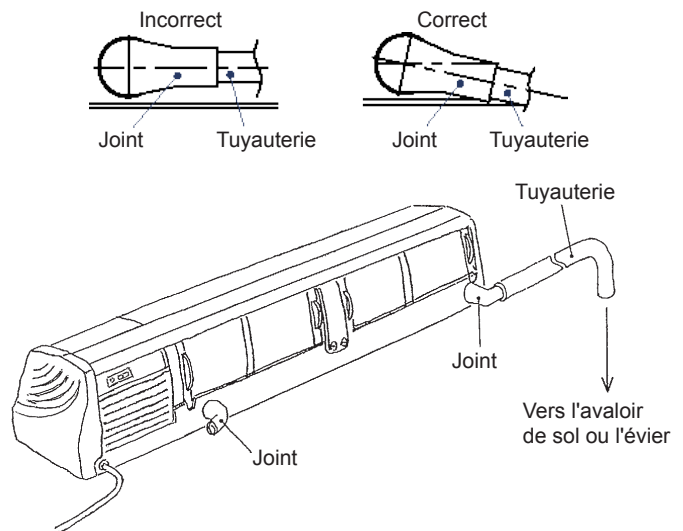


Fig. 5

### 3. INSTALLATION

#### IMPORTANT

Portez la vitrine en la tenant par le fond.

- 1) Déballez la vitrine et enlevez tout le carton de transport, l'entretoise de l'évaporateur, le ruban adhésif et l'emballage AVANT de faire fonctionner l'appareil. Attention de ne pas endommager les panneaux extérieurs en manipulant la vitrine.
- 2) Positionnez la vitrine à l'endroit sélectionné. Nettoyez l'intérieur avec du savon et de l'eau, puis rincez abondamment.
- 3) Mettez la vitrine de niveau dans les deux sens : à la fois de gauche à droite et d'avant en arrière.
- 4) Le pourtour de l'appareil qui touche le comptoir doit être scellé avec du silicone.

### 4. BRANCHEMENTS ELECTRIQUES

Cette vitrine doit être branchée dans une prise électrique individuelle de capacité suffisante. La variation de tension admissible maximale ne doit pas dépasser  $\pm 6\%$  de la valeur nominale figurant sur la plaque signalétique. Reportez-vous à la plaque signalétique.

### 5. RACCORDEMENTS DES DRAINS

- \* Le flexible peut être raccordé soit au joint de droite, soit à celui de gauche.
- \* Le joint doit être incliné comme illustré ci-dessous de sorte à ce que le raccordement du flexible soit orienté vers le bas.
- \* Conservez un espace de plus de 5 cm entre l'extrémité du drain vertical et l'évier.

### 6. LISTE DE VERIFICATIONS FINALES

- 1) La vitrine est-elle de niveau ?
- 2) La vitrine se trouve-t-elle à un endroit où la température ambiante est comprise entre 10 °C et 30 °C toute l'année ?
- 3) Avez-vous bien enlevé le carton de transport, l'entretoise de l'évaporateur, le ruban adhésif et l'emballage de la vitrine ?
- 4) Les branchements électriques et les raccordements de canalisations ont-ils tous été effectués ?
- 5) La tension de la source d'alimentation a-t-elle été vérifiée et comparée à celle indiquée sur la plaque signalétique ?
- 6) L'utilisateur a-t-il reçu la Notice d'utilisation, lui a-t-on expliqué comment fonctionne la vitrine et lui a-t-on indiqué l'importance de l'entretien périodique recommandé ?
- 7) A-t-on donné à l'utilisateur le nom et le numéro de téléphone de l'agence d'entretien agréée ?

### 7. MISE EN MARCHÉ

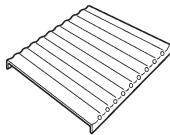
#### IMPORTANT

1. Attention de ne pas laisser d'eau pénétrer dans le compartiment de l'appareil et s'écouler sur l'extérieur. Ceci pourrait entraîner un risque de choc électrique.
2. Veillez à bien refroidir d'avance la vitrine avant d'y placer de la nourriture. Placez uniquement des éléments qui ont été préalablement réfrigérés dans la vitrine. La nourriture prend plus de temps à se refroidir dans la vitrine que dans un réfrigérateur.

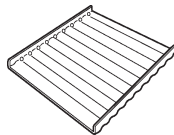
Après les heures de service, remettez la nourriture dans un réfrigérateur.

3. N'ouvrez les portes que quand cela est nécessaire et ne les laissez pas ouvertes car vous pourriez faire augmenter la température intérieure et détériorer la nourriture.
4. Avant de débrancher la vitrine ou de la dégivrer, enlevez d'abord les éléments qui se trouvent à l'intérieur afin de les protéger des gouttes d'eau dégivrée.
5. Il est normal de trouver de la condensation sur la vitrine lorsque le temps est humide ou pluvieux. Il vous suffit de l'essuyer avec un torchon doux de temps en temps.
6. Contrôlez la température des aliments en plaçant les supports comme suit :

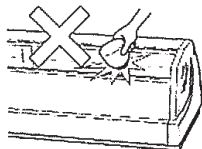
Condition normale  
ou quand la temp.  
des aliments est  
trop basse



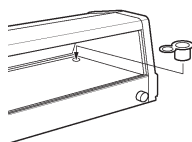
Pour un  
refroidissement  
plus intensif



7. La hauteur de sécurité maximum pour exhiber les aliments est de 9 cm au dessus du fond de l'intérieur. Les aliments ne doivent pas être placés au dessus de cette hauteur car ils pourraient ne pas rester assez froids et se perdre.
8. Si vous éteignez la vitrine, attendez au moins 3 minutes avant de la remettre en marche. Sinon, l'interrupteur thermique du moteur pourrait se mettre en marche et laisser l'eau dégivrée s'écouler sur les éléments à l'intérieur. L'interrupteur thermique du moteur se réinitialise automatiquement après 30 minutes.
9. Pour éviter d'endommager les parties en verre, ne placez pas de couverts, d'assiettes, de bouteilles ni d'outils pointus directement sur les surfaces de verre. Même la plus petite des fêlures peut devenir une fissure (quelques jours) plus tard.



10. Pour éviter l'entrée d'insectes pendant le fonctionnement, les deux sorties de vidange, à droite et à gauche en dessous des supports d'aliments, doivent toujours porter leur bouchon de vidange.



1) Nettoyez l'intérieur de la vitrine.

2) Branchez la vitrine et enclenchez le disjoncteur.

\* Quand elle n'est pas utilisée, séchez la vitrine avec soin et entreposez-la dans un endroit sec.

### III. CONSIGNES D'ENTRETIEN ET DE NETTOYAGE

#### IMPORTANT

1. Avant toute opération de maintenance ou de nettoyage, débranchez la vitrine.
2. Ne démontez pas la vitrine au-delà de ce qui est indiqué sur la Fig. 1.
3. Ne touchez pas et ne mouillez pas les pièces situées à l'intérieur du compartiment moteur de l'appareil. Cela pourrait entraîner une panne.
4. Afin d'éviter tout dommage possible, ne nettoyez pas les pièces en plastique avec de l'eau à plus de 40°C ou dans un lave-vaisselle.

#### 1. INTERIEUR/EXTERIEUR

- \* Nettoyez l'intérieur et les supports d'aliment tous les jours pour hygiène.
- \* Nettoyez l'extérieur avec un torchon doux imbibé d'eau chaude et d'un produit nettoyant neutre qui soit bien essoré. N'utilisez pas un jet d'eau pour nettoyer l'extérieur.
- \* Utilisez uniquement un produit nettoyant neutre. Tout autre agent chimique pourrait endommager les surfaces intérieures et extérieures.

Remarque : Pour éviter d'endommager la surface des pièces et le revêtement de l'évaporateur, n'utilisez pas d'éponge à récurer sur les surfaces intérieures/extérieures.

#### 2. NETTOYAGE DU DRAIN

- 1) Mélanger 1 litre d'eau avec 3,7 ml de solution d'hypochlorite de sodium à 5,25 % dans un récipient adapté ou utiliser le désinfectant recommandé par Hoshizaki en suivant les instructions d'utilisation du produit.
- 2) Débranchez le flexible du joint.
- 3) Tournez l'extrémité des deux joints vers le haut.

- 4) Versez lentement la solution désinfectante dans le circuit d'eau de vidange dans les joints.
- 5) Attendez 5 minutes puis tournez les extrémités des joints vers le bas pour vidanger la solution.
- 6) Laissez sécher le circuit d'eau de vidange.

### 3. FILTRE A AIR

Le tamis en plastique du filtre à air retient les particules de poussière ou les saletés de l'air et empêche le colmatage du condenseur. Les performances de la vitrine seront affectées en cas de colmatage du filtre. Vérifiez le filtre deux fois par mois minimum. En cas de colmatage, lavez le filtre en utilisant une solution d'eau chaude et de produit nettoyant neutre.

- 1) Tenez les languettes situées en bas du volet d'aération et soulevez-les pour séparer le volet de la carcasse.
- 2) Tirez le volet d'aération vers vous.
- 3) Tirez le volet d'aération vers le bas.
- 4) Saisir le cadre du filtre à air et tirez-le vers vous.
- 5) Nettoyez le filtre à air.
- 6) Remettez le filtre à air et le volet d'aération en suivant la procédure inverse.

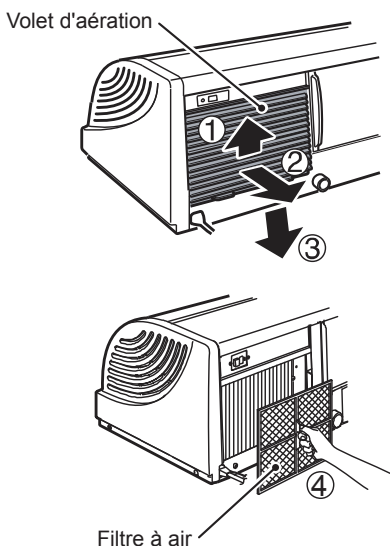


Fig. 6

### 4. CONDENSEUR

**IMPORTANT**  
Pour éviter tout risque de blessure, ne touchez pas directement les ailettes du condenseur avec les mains. Utilisez une brosse ou un aspirateur pour nettoyer le condenseur.

Contrôlez le condenseur une fois par an et, si nécessaire, nettoyez-le à l'aide d'une brosse ou d'un aspirateur. Un nettoyage plus fréquent peut s'avérer nécessaire, en fonction de l'emplacement de la vitrine.

### 5. VERIFICATION DU DISJONCTEUR

Appuyez sur le bouton de test au moins une fois par mois pour simuler une perte à la terre sur le circuit de charge.

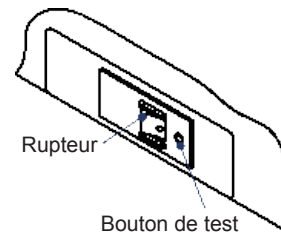


Fig. 7

### IV. GARANTIE

Hoshizaki garantit au propriétaire/à l'utilisateur d'origine que tous les produits portant la marque Hoshizaki seront exempts de tout défaut et/ou de vice de fabrication au cours de la « période de garantie ». La garantie est valable un an à compter de la date d'installation.

La responsabilité de Hoshizaki aux termes de la garantie est limitée et exclut les interventions d'entretien de routine, de nettoyage, de maintenance essentielle et/ou les réparations découlant d'une utilisation abusive et d'installations non conformes aux directives de Hoshizaki.

Les réparations effectuées au titre de la garantie doivent être effectuées par un revendeur ou un réparateur agréé Hoshizaki utilisant des composants Hoshizaki d'origine.

Pour tout renseignement sur votre garantie et les agents de service agréés, veuillez prendre contact avec votre distributeur/fournisseur ou le centre de services Hoshizaki le plus proche :

Europe, Moyen Orient, Afrique

Hoshizaki UK - Royaume-Uni, Irlande  
TEL: +44 845 456 0585  
FAX: +44 132 283 8331  
uksales@hoshizaki.co.uk

Hoshizaki Deutschland - Allemagne, Suisse, Autriche  
TEL: +49 2154 92810  
FAX: +49 2154 928128  
info@hoshizaki.de



# FRANÇAIS

Hoshizaki France - France  
TEL: +33 1 48 63 93 80  
FAX: +33 1 48 63 93 88  
info@hoshizaki.fr

Hoshizaki Iberia - Espagne, Portugal  
TEL: +34 93 478 09 52  
FAX: +34 93 478 08 00  
info@hoshizaki.es

Hoshizaki Middle East - Moyen Orient  
TEL: +971 48 876 612  
FAX: +971 48 876 613  
sales@hoshizaki.ae

Hoshizaki Nederland & België - Pays-Bas, Belgique, Luxembourg  
TEL: +31 20 5650420 (Nederland)  
TEL: +32 2 712 30 30 (België)  
FAX: +31 20 6918768  
sales@hoshizaki.nl (Nederland)  
info@hoshizaki.be (België)

Hoshizaki Europe B.V. - tous les autres pays européens et Afrique  
TEL: +31 20 6918499  
FAX: +31 20 6918768  
sales@hoshizaki.nl

## Asie, Océanie

Hoshizaki Singapore  
TEL: +65 6225 2612  
FAX: +65 6225 3219

Hoshizaki Taiwan  
TEL: +886 2 2748 1589  
FAX: +886 2 2747 1559

Hoshizaki Hong Kong  
TEL: +852 2866-2108  
FAX: +852 2866-2109

Hoshizaki Lancer  
TEL: +61 8 8268 1388  
FAX: +61 8 8268 1978

## V. MISE AU REBUT

Respecter les réglementations locales relatives à la mise au rebut de l'appareil en raison de son réfrigérant inflammable. Avant de mettre l'appareil au rebut, enlever la porte pour éviter qu'un enfant ne reste emprisonné.

Mise au rebut correcte de ce produit :  
Ce symbole indique que ce produit ne doit pas être mis au rebut avec d'autres déchets ménagers dans l'UE. Pour empêcher que le dépôt non contrôlé de déchets ne nuise à l'environnement ou à



la santé, recycler ce produit de manière responsable de sorte que les ressources matérielles soient réutilisées durablement. Pour se débarrasser de l'appareil usagé, s'adresser aux services de collecte de déchets ou contacter le détaillant où le produit a été acheté. Ils peuvent prendre en charge ce produit et le recycler de manière respectueuse pour l'environnement.

**Ce produit comprend un système de réfrigération hermétiquement fermé qui contient des gaz à effet de serre fluorés couverts par le Protocole de Kyoto :**

HNC-120BE-L/R-B	R134a / GWP 1430 / 0,08 kg
HNC-150BE-L/R-B	R134a / GWP 1430 / 0,11 kg
HNC-180BE-L/R-B	R134a / GWP 1430 / 0,14 kg
HNC-210BE-L/R-B	R134a / GWP 1430 / 0,16 kg
HNC-120BE-L/R-S	R134a / GWP 1430 / 0,08 kg
HNC-150BE-L/R-S	R134a / GWP 1430 / 0,11 kg
HNC-180BE-L/R-S	R134a / GWP 1430 / 0,14 kg
HNC-210BE-L/R-S	R134a / GWP 1430 / 0,16 kg

**Ce produit est isolé à l'aide de mousse soufflée avec des gaz à effet de serre fluorés.**

**Cet appareil est conforme aux exigences relatives à la santé et la sécurité des réglementations suivantes :**

**Directive EMC (2004/108/CE)  
Directive basse tension (2006/95/CE)  
Directive RoHS (2011/65/EU)**

**Représentant autorisé :  
Hoshizaki Europe B.V.  
Keienbergweg 50 C/D, 1101 GC Amsterdam,  
Pays Bas**



**WICHTIGE SICHERHEITSHINWEISE**

Dieses Handbuch enthält Hinweise, die Sie auf Situationen aufmerksam machen sollen, die Tod, schwere Verletzungen oder Geräteschäden verursachen können.

<b>WARNUNG</b>	Kennzeichnet eine gefährliche Situation, die, wenn sie nicht vermieden wird, zum Tod oder zu schweren Verletzungen führen kann.
<b>VORSICHT</b>	Kennzeichnet eine gefährliche Situation, die, wenn sie nicht vermieden wird, zu leichten oder mittleren Verletzungen führen kann.
<b>HINWEIS</b>	Kennzeichnet eine gefährliche Situation, die, wenn sie nicht vermieden wird, zu Geräteschäden führen kann.
<b>HYGIENE</b>	Kennzeichnet wichtige Maßnahmen für Hygiene und Lebensmittelsicherheit.
<b>WICHTIG</b>	Kennzeichnet wichtige Informationen zu Gebrauch und Pflege des Gerätes.

<b>WICHTIG</b>	
Diese Broschüre ist ein integraler und wesentlicher Bestandteil des Produkts und ist deshalb vom Benutzer aufzubewahren.	
Bitte lesen Sie die Hinweise und Warnungen sorgfältig durch, da sie wichtige Informationen für die sachgemäße Installation, einen langen, sicheren Gebrauch und die Wartung des Produkts enthalten.	
Bitte heben Sie diese Bedienungsanleitung auf, damit Sie bei Bedarf darauf zurückgreifen können.	

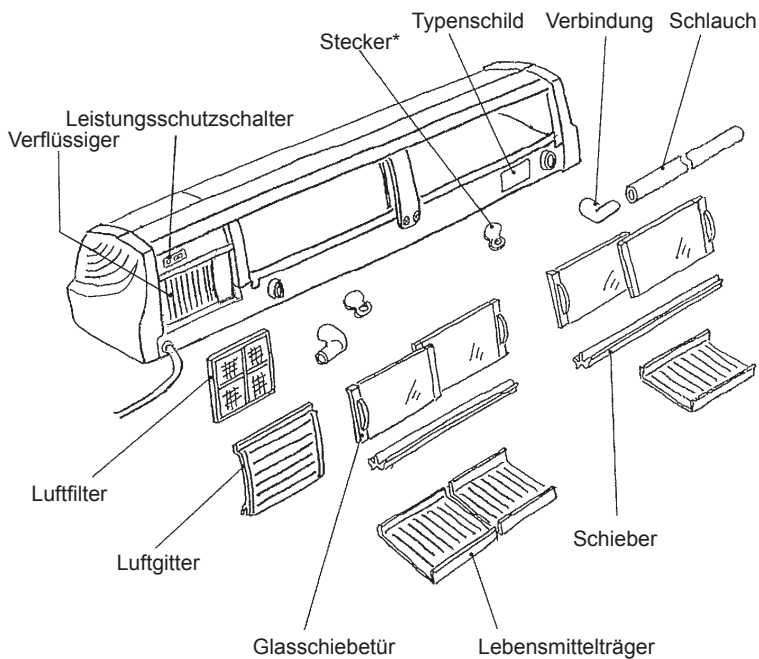
<b>WARNUNG</b>	
Dieser Thekenschaukasten darf ausschließlich für den vorgesehenen Zweck benutzt werden. Jede andere Verwendung ist als Zweckentfremdung und somit als gefährlich anzusehen. Der Hersteller übernimmt keine Haftung oder Verantwortung für Schäden, die durch missbräuchliche, falsche oder unangemessene Verwendung verursacht werden.	
<b>Installation und erforderliche Standortverlegungen sind von qualifiziertem Personal</b> in Übereinstimmung mit geltenden Vorschriften nach Angaben des Herstellers auszuführen.	
Die Lüftungsöffnungen im Gerätegehäuse oder im Innern des Gerätes nicht blockieren.	

Wie bei allen Elektrogeräten sind stets einige grundsätzliche Vorsichtsmaßnahmen zu beachten. Insbesondere:

- \* Bei hoher Feuchtigkeit oder Nässe besteht Kurzschlussgefahr, wodurch ein elektrischer Schlag verursacht werden kann. Im Zweifelsfall ist der Netzstecker des Schaukasten zu ziehen.
- \* Das Stromkabel nicht beschädigen und nicht daran ziehen, um den Schaukasten vom Stromnetz zu trennen.
- \* Zur Vermeidung von Gefahren darf das Auswechseln des Netzkabels oder des Netzsteckers nur von einer qualifizierten Fachkraft ausgeführt werden.
- \* Die elektrischen Komponenten und die Schalter nicht mit feuchten Händen berühren.
- \* Dieses Gerät darf nicht von Personen (einschl. Kindern ab 8 Jahren) benutzt werden, deren physische, sensorische oder mentale Fähigkeiten eingeschränkt sind, die über keine Erfahrung und kein Wissen verfügen, es sei denn, sie werden von einer für ihre Sicherheit verantwortlichen Person bei der sicheren Benutzung des Gerätes beaufsichtigt oder angeleitet.
- \* Kinder dürfen nicht mit dem Gerät spielen.
- \* Reinigungs- und Wartungsarbeiten dürfen von Kindern nicht unbeaufsichtigt durchgeführt werden.
- \* Am Schaukasten dürfen keine Änderungen vorgenommen werden. Das Gerät darf nur von Fachpersonal zerlegt oder instand gesetzt werden.
- \* In diesem Gerät keine flüchtigen oder leicht entflammaren Stoffe wie Benzin, Äther, Klebstoffe und Flüssiggas, oder explosiven Stoffe wie Aerosolsprays, die entflammabares Treibmittel enthalten, aufbewahren.

## I. ALLGEMEINE INFORMATIONEN

### 1. KONSTRUKTION



\*Hinweis: Die Ablauföffnungen im Schaukasten immer mit den beiden Ablaufstopfen verschließen.

**Abb. 1**

## II. INSTALLATIONS- UND BEDIENUNGSANLEITUNG

### 1. ÜBERPRÜFUNGEN VOR DER INSTALLATION

\* Überprüfen Sie die Außenseite des Frachtbehälters visuell und teilen Sie dem Lieferanten alle schweren Beschädigungen mit.

#### WARNUNG

Versandkarton, Verdampfer-Distanzstück, Bänder und anderes Verpackungsmaterial entfernen. Wenn Verpackungsmaterial im Schaukasten gelassen wird, arbeitet dieser nicht richtig.

#### WICHTIG

Das Transportsicherungsband an der Tür entfernen.

\* Die Packung mit den Zubehörteilen herausnehmen.

\* Werfen Sie einen Blick auf das Typenschild hinten am Schaukasten und überprüfen Sie, dass die Versorgungsspannung der auf dem Typenschild angegebenen Spannung entspricht.

## 2. AUFSTELLORT

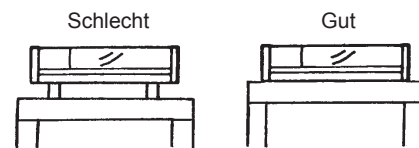
### WICHTIG

Dieser Schaukasten eignet sich nicht für den Gebrauch im Freien. Im Normalbetrieb sollte die Raumtemperatur zwischen 10°C und 30°C betragen. Der längere Gebrauch des Schaukastens bei Temperaturen außerhalb dieser normalen Temperaturgrenzwerte kann die Kühlleistung beeinträchtigen.

So werden die besten Betriebsergebnisse erzielt:

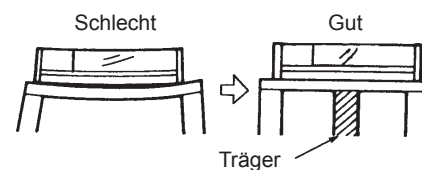
\* Der Schaukasten darf nicht neben Öfen, Grills oder anderen Geräten aufgestellt werden, die Hitze erzeugen.

\* Der Aufstellungsort muss einen stabilen Untergrund über die ganze Bodenfläche des Gerätes bieten. Der Einschluss von Verpackung oder Unebenheiten, die zu einem teilweisen Kontakt führen, können das Gehäuse beschädigen oder deformieren und eine Störung verursachen. Der Schaukasten muss immer waagrecht stehen (von Seite zu Seite und von hinten nach vorne).



**Abb. 2**

Wenn der Untergrund nicht stabil genug ist, kann er sich verbiegen und in der Mitte unter dem Schaukastenboden einen Hohlraum verursachen. In einem solchen Fall den Untergrund so abstützen, dass er eben ist.



**Abb. 3**

\* Nicht an einem Ort aufstellen, an dem Tropfwasser nicht erlaubt ist.

\* Um Schäden am Kunststoffgehäuse zu vermeiden, den Schaukasten nicht direktem Sonnenlicht oder höheren Temperaturen aussetzen.

\* Für eine ausreichende Luftzirkulation zwischen den Verflüssigerauslassöffnungen und der Wand oder anderen Geräten mindestens 15 cm Abstand einhalten. An der Rückseite und Oberseite des Schaukastens sollte für eine ausreichende Luftzirkulation und einen problemlosen Betrieb genügend Raum (mindestens 100 cm) bleiben.

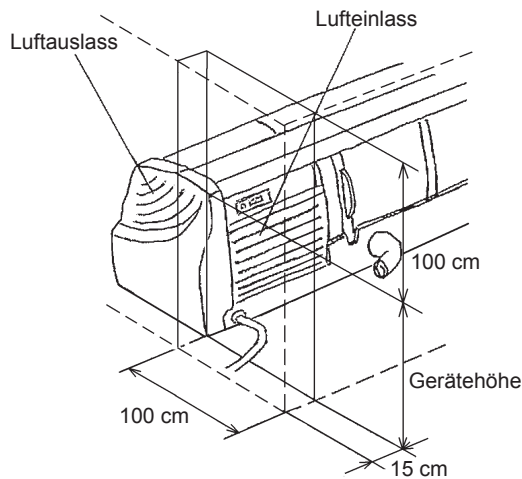


Abb. 4

### 3. AUFBAU

#### WICHTIG

Den Schaukasten beim Tragen an der Geräteunterseite halten.

- 1) Den Schaukasten auspacken und Transportkarton, Verdampfer-Distanzstück, Bänder und Verpackung VOR dem Einschalten des Gerätes entfernen. Darauf achten, dass die Außenplatten bei der Handhabung des Schaukastens nicht beschädigt werden.
- 2) Den Schaukasten am gewünschten Aufstellungsort positionieren. Den Innenraum mit Wasser und Seife reinigen und gründlich spülen.
- 3) Den Schaukasten sowohl horizontal als auch vertikal ausrichten.
- 4) Der äußere Rand, an dem das Gerät die Theke berührt, sollte mit Silikon abgedichtet werden.

### 4. ELEKTRISCHE ANSCHLÜSSE

Dieser Schaukasten muss in einer separaten Steckdose mit ausreichend Leistung eingesteckt werden. Die maximale Spannungsschwankung darf  $\pm 6$  Prozent des auf dem Typenschild angegebenen Nennwertes nicht überschreiten. Siehe Typenschild.

### 5. WASSERABLAUFANSCHLÜSSE

- \* Der Schlauch kann je nach Bedarf mit dem linken oder rechten Anschluss verbunden werden.
- \* Der Anschluss muss so gekippt werden, dass die Schlauchverbindung nach unten zeigt (siehe Abbildung unten).

- \* Zwischen dem vertikalen Ablaufrohrende und dem Ablauf einen mindestens 5 cm hohen Luftspalt lassen.

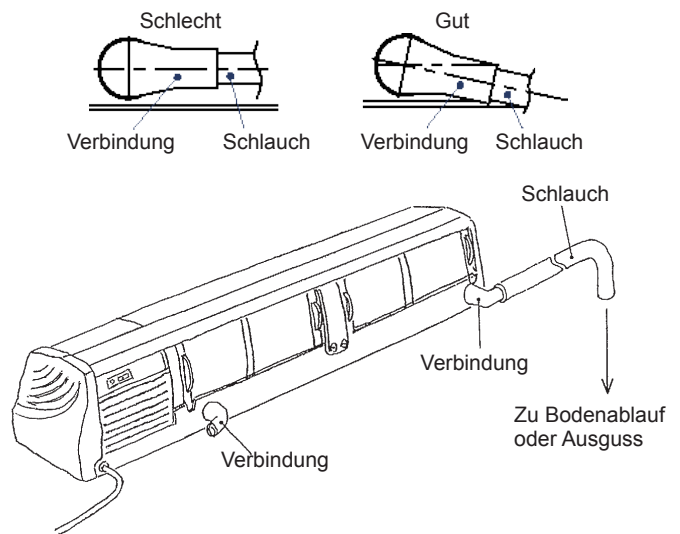


Abb. 5

### 6. ENDKONTROLLE

- 1) Steht der Schaukasten eben?
- 2) Steht der Schaukasten an einem Ort, an dem das ganze Jahr über eine Umgebungstemperatur von 10° bis 30°C herrscht?
- 3) Sind Transportkarton, Verdampfer-Distanzstück, Bänder und Verpackungsmaterial vom Schaukasten entfernt worden?
- 4) Sind alle elektrischen und Rohrleitungsanschlüsse hergestellt worden?
- 5) Wurde die Netzspannung kontrolliert, und stimmt diese mit der auf dem Typenschild angegebenen Spannung überein?
- 6) Wurde dem Benutzer die Bedienungsanleitung ausgehändigt? Hat man ihn eingewiesen, wie der Schaukasten zu betreiben ist, und wurde er auf die Wichtigkeit der empfohlenen periodischen Wartung aufmerksam gemacht?
- 7) Wurde dem Benutzer Name und Telefonnummer eines autorisierten Wartungsunternehmens genannt?

### 7. INBETRIEBNAHME

#### WICHTIG

1. Darauf achten, dass kein Wasser in das Maschinenabteil und über das Gehäuse gelangt. Dies kann die Gefahr eines elektrischen Schlages verursachen.

2. Darauf achten, den Schaukasten vorzukühlen, bevor Lebensmittel darin aufbewahrt werden. In dem Schaukasten nur vorgekühltes Kühlgut lagern. Lebensmittel zu kühlen dauert im Schaukasten länger als in einem Kühlschrank. Lebensmittel nach der Betriebszeit in einen Kühlschrank umlagern.

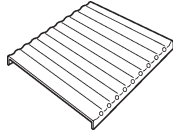
3. Die Türen nicht unnötig öffnen und nicht offenstehen lassen, da sonst die Innentemperatur steigt und die Lebensmittel schlecht werden können.

4. Bevor der Schaukasten zum Abtauen vom Netz getrennt wird, zuerst das Kühlgut entfernen, um es vor Tauwassertropfen zu schützen.

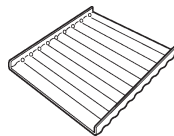
5. Bei hoher Feuchtigkeit oder Regenwetter ist es normal, dass Kondensation im Schaukasten auftritt. Einfach hin und wieder mit einem weichen Tuch abwischen.

6. Die Lebensmitteltemperatur durch Einlegen der Lebensmittelträger wie folgt steuern:

Normale Bedingung oder wenn Lebensmitteltemp. zu niedrig



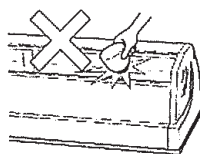
Für intensivere Kühlung



7. Die sichere Maximalhöhe zur Ausstellung von Lebensmitteln beträgt 9 cm über dem Innenboden. Lebensmittel sollten nicht oberhalb dieser Höhe gelagert werden, da sie zur Vermeidung von Verderb möglicherweise nicht kühl genug gehalten werden.

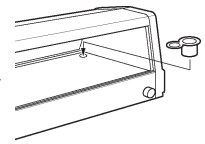
8. Vor dem Wiedereinschalten des abgeschalteten Schaukastens mindestens 3 Minuten warten. Andernfalls könnte der thermische Motorschutz auslösen und dadurch Tauwasser auf das eingelegte Kühlgut tropfen. Der thermische Motorschutz wird nach 30 Minuten automatisch zurückgesetzt.

9. Um eine Beschädigung der Glasteile zu vermeiden, Geschirr, Flaschen oder kantige Hilfsmittel nicht direkt auf die Glasoberflächen legen oder dagegen stoßen. Selbst winzige Beschädigungen können in ein paar Tagen zu einem Riss anwachsen.



10. Um das Eindringen von Ungeziefer während des Betriebs zu vermeiden, müssen die

beiden Ablaufstutzen rechts und links unter den Lebensmittelträgern immer mit den Ablaufstopfen verschlossen sein.



1) Den Schaukasten innen reinigen.

2) Verbinden Sie den Schaukasten mit dem Netz und schalten Sie den Leistungsschutzschalter ein.

\* Bei Nichtgebrauch den Schaukasten gründlich trocknen und an einem trockenen Ort lagern.

### III. WARTUNGS- UND REINIGUNGSANLEITUNG

#### WICHTIG

1. Vor allen Reinigungen oder Wartungsarbeiten den Schaukasten vom Netz trennen.

2. Den Schaukasten nicht weiter als in Abb. 1 dargestellt auseinandernehmen.

3. Die Teile im Maschinenabteil nicht berühren oder befeuchten. Dies könnte zu Störungen oder Ausfall führen.

4. Um Beschädigungen zu vermeiden, Kunststoffteile nicht mit über 40°C heißem Wasser oder in einem Geschirrspüler reinigen.

#### 1. INNENRAUM/AUSSENSEITE

\* Für den hygienischen Gebrauch den Innenraum und die Lebensmittelträger jeden Tag reinigen.

\* Die Außenseite mit einem weichen, in einer kalten oder warmen Neutralseifenlösung angefeuchteten Tuch reinigen. Zur Reinigung der Außenseite keinen Dampfstrahl verwenden.

\* Nur ein neutrales Reinigungsmittel verwenden. Andere chemische Lösungsmittel könnten die Innen- und Außenflächen beschädigen.

Hinweis: Um Schäden an den Oberflächen der Teile und der Verdampfer-Beschichtung zu vermeiden, an den Innen-/Außenflächen keine Topfkratzer verwenden.

#### 2. REINIGUNG DES ABLAUFRÖHRS

1) In einem geeigneten Behälter entweder 1 l Wasser mit 3,7 ml einer 5,25%igen Natriumhypochloritlösung mischen oder den

# DEUTSCH

empfohlenen Hoshizaki-Desinfizierer wie beschrieben verwenden.

- 2) Den Schlauch vom Anschluss trennen.
- 3) Das Ende der beiden Anschlüsse nach oben drehen.
- 4) Die Desinfektionslösung über die Anschlüsse langsam in den Ablaufwasserkreislauf einfüllen.
- 5) 5 Minuten warten und dann das Ende der Anschlüsse nach unten drehen, um die Lösung zu entleeren.
- 6) Den Ablaufwasserkreislauf trocknen lassen.

## 3. LUFTFILTER

Ein Maschen- bzw. Siebfilter aus Kunststoff entfernt Schmutz oder Staub aus der Luft und verhindert das Verstopfen des Verflüssigers. Wenn der Filter verstopft, wird die Leistung des Schaukastens abnehmen. Den Filter mindestens zweimal im Monat überprüfen. Bei starker Verstopfung ist der Luftfilter mit warmem Wasser und einem Neutralreiniger zu waschen.

- 1) Das Luftgitter unten an den Laschen des Luftgitters anheben und das Luftgitter vom Gehäuse lösen.
- 2) Das Luftgitter herausziehen.
- 3) Das Luftgitter nach unten ziehen.
- 4) Den Luftfilter am Rahmen herausziehen.
- 5) Luftfilter reinigen.
- 6) Luftfilter und Luftgitter in der umgekehrten Reihenfolge des Ausbaus wieder einbauen.

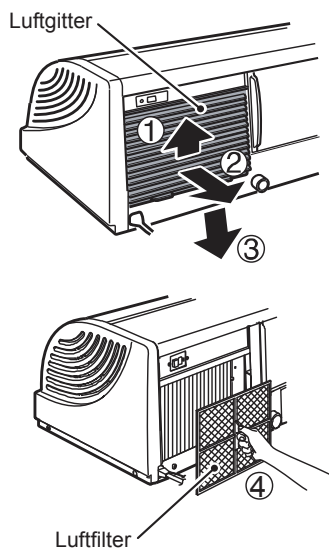


Abb. 6

## 4. VERFLÜSSIGER

### WICHTIG

Um eine mögliche Verletzungsgefahr zu vermeiden, die Kühlrippen des Verflüssigers nicht berühren. Den Verflüssiger mit einer Bürste oder einem Staubsauger reinigen.

Den Verflüssiger einmal pro Jahr überprüfen und bei Bedarf mit einer Bürste oder einem Staubsauger reinigen. Abhängig vom Aufstellungsort des Schaukastens könnte eine häufigere Reinigung erforderlich sein.

## 5. PRÜFUNG DES LEISTUNGSSCHUTZSCHALTERS

Die Testtaste mindestens einmal im Monat drücken, um einen Fehlerstrom im Laststromkreis zu simulieren.

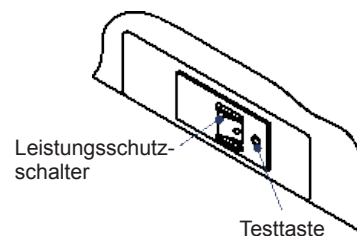


Abb. 7

## IV. GEWÄHRLEISTUNG

Hoshizaki garantiert dem Originalbesitzer/-benutzer, dass alle Markenprodukte von Hoshizaki für die Dauer der „Garantiezeit“ frei von Material- und/oder Verarbeitungsfehlern sind. Die Garantie gilt für ein Jahr ab Datum der Installation.

Hoshizakis Haftung unter diesen Garantiebedingungen ist begrenzt. Sie schließt Routinewartung und Reinigung sowie Wartungs- und/oder Reparaturarbeiten, die durch zweckentfremdete Benutzung oder eine Installation, die nicht den Anweisungen von Hoshizaki entspricht, verursacht werden, aus.

Garantiereparaturen sind von einem zugelassenen Hoshizaki-Händler oder -Kundendienst mit Hoshizaki-Originalbauteilen auszuführen.

Für vollständige Informationen zur Gewährleistung und zugelassene Kundendienste wenden Sie sich bitte an Ihren Händler/Lieferanten oder den nächstgelegenen Hoshizaki-Kundendienst:



## Europa, Naher Osten, Afrika

Hoshizaki UK - Großbritannien, Irland  
TEL: +44 845 456 0585  
FAX: +44 132 283 8331  
uksales@hoshizaki.co.uk

Hoshizaki Deutschland - Deutschland, Schweiz, Österreich  
TEL: +49 2154 92810  
FAX: +49 2154 928128  
info@hoshizaki.de

Hoshizaki France - Frankreich  
TEL: +33 1 48 63 93 80  
FAX: +33 1 48 63 93 88  
info@hoshizaki.fr

Hoshizaki Iberia - Spanien, Portugal  
TEL: +34 93 478 09 52  
FAX: +34 93 478 08 00  
info@hoshizaki.es

Hoshizaki Middle East - Naher Osten  
TEL: +971 48 876 612  
FAX: +971 48 876 613  
sales@hoshizaki.ae

Hoshizaki Nederland & Belgien - Niederlande, Belgien, Luxemburg  
TEL: +31 20 5650420 (Niederlande)  
TEL: +32 2 712 30 30 (Belgien)  
FAX: +31 20 6918768  
sales@hoshizaki.nl (Niederlande)  
info@hoshizaki.be (Belgien)

Hoshizaki Europe B.V. - alle anderen Länder innerhalb Europa und Afrika  
TEL: +31 20 6918499  
FAX: +31 20 6918768  
sales@hoshizaki.nl

## Asien, Ozeanien

Hoshizaki Singapore  
TEL: +65 6225 2612  
FAX: +65 6225 3219

Hoshizaki Taiwan  
TEL: +886 2 2748 1589  
FAX: +886 2 2747 1559

Hoshizaki Hong Kong  
TEL: +852 2866-2108  
FAX: +852 2866-2109

Hoshizaki Lancer  
TEL: +61 8 8268 1388  
FAX: +61 8 8268 1978

## V. ENTSORGUNG

Die gesetzlichen Bestimmungen zur Entsorgung des im Gerät enthaltenen brennbaren Kältemittels müssen eingehalten werden. Vor dem Verschrotten des Gerätes die Tür abnehmen, um zu vermeiden, dass sich Kinder im Gerät versehentlich einschließen.

Richtige Entsorgung dieses Gerätes:

Dieses Kennzeichen bedeutet, dass dieses Gerät in der EU nicht mit dem normalen Haushaltsmüll entsorgt werden darf. Um Schäden der Umwelt oder der menschlichen Gesundheit durch unkontrollierte Müllbeseitigung zu vermeiden, recyceln Sie das Gerät und fördern Sie damit die nachhaltige Wiederverwertung von stofflichen Ressourcen. Nutzen Sie die Rückgabe- und Sammelsysteme oder wenden Sie sich an den Händler, bei dem Sie das Gerät gekauft haben, um das gebrauchte Gerät zurückzugeben. Dort wird das Gerät der umweltfreundlichen Wiederverwertung zugeführt.



**Dieses Produkt enthält ein hermetisch abgeschlossenes Kältesystem mit fluorierten Treibhausgasen nach dem Kyoto-Protokoll:**

HNC-120BE-L/R-B	R134a / GWP 1430 / 0,08 kg
HNC-150BE-L/R-B	R134a / GWP 1430 / 0,11 kg
HNC-180BE-L/R-B	R134a / GWP 1430 / 0,14 kg
HNC-210BE-L/R-B	R134a / GWP 1430 / 0,16 kg
HNC-120BE-L/R-S	R134a / GWP 1430 / 0,08 kg
HNC-150BE-L/R-S	R134a / GWP 1430 / 0,11 kg
HNC-180BE-L/R-S	R134a / GWP 1430 / 0,14 kg
HNC-210BE-L/R-S	R134a / GWP 1430 / 0,16 kg

**Für die Isolierung dieses Produktes wurde mit fluorierten Treibhausgasen aufgeschäumter Schaumstoff verwendet.**

**Dieses Gerät erfüllt die wesentlichen Sicherheits- und Gesundheitsanforderungen der folgenden Richtlinien:**

**Richtlinie zur elektromagnetischen Verträglichkeit (2004/108/EG)**  
**Niederspannungsrichtlinie (2006/95/EG)**  
**RoHS-Richtlinie (2011/65/EU)**

**Autorisierte Vertretung:**

**Hoshizaki Europe B.V.**  
**Keienbergweg 50 C/D, 1101 GC Amsterdam, Niederlande**



# NEDERLANDS

## BELANGRIJKE VEILIGHEIDSINFORMATIE

Overal in deze handleiding treft u opmerkingen aan die uw aandacht willen vestigen op situaties die zouden kunnen resulteren in overlijden, ernstig letsel of schade aan de machine.

<b>WAARSCHUWING</b>	Geeft een gevaarlijke situatie aan die, als deze niet wordt vermeden, zou kunnen resulteren in overlijden of ernstig letsel.
<b>VOORZICHTIG</b>	Geeft een gevaarlijke situatie aan die, als deze niet wordt vermeden, zou kunnen resulteren in licht of middelzwaar letsel.
<b>LET OP</b>	Geeft een gevaarlijke situatie aan die, als deze niet wordt vermeden, zou kunnen resulteren in schade aan de machine.
<b>HYGIËNE</b>	Geeft belangrijke voorzorgsmaatregelen aan met betrekking tot de hygiëne en voedselveiligheid.
<b>BELANGRIJK</b>	Geeft belangrijke informatie aan over het gebruik en de verzorging van de machine.

### BELANGRIJK

Dit boekje vormt een integraal en essentieel onderdeel van het product en moet goed worden bewaard door de gebruiker.

Lees de richtlijnen en waarschuwingen in dit boekje zorgvuldig door, aangezien deze zijn bedoeld om de installateur/gebruiker te voorzien van essentiële informatie voor een correcte installatie, alsmede voor een veilig gebruik en onderhoud van het product op de lange termijn.

Bewaar dit boekje zodat u het later, indien nodig, opnieuw kunt raadplegen.

### WAARSCHUWING

Dit is een toonbankvitriene en dit apparaat dient uitsluitend te worden gebruikt voor de toepassingen waarvoor het is ontworpen.

Enige andere vorm van gebruik wordt als ongeschikt en dus gevaarlijk beschouwd. De fabrikant kan niet aansprakelijk of verantwoordelijk worden gesteld voor enige schade die ontstaat door ongeschikt, incorrect en onredelijk gebruik.

**De installatie en eventuele verplaatsing van de vitrine mag uitsluitend door gekwalificeerd personeel** en overeenkomstig de plaatselijk geldende voorschriften worden uitgevoerd, waarbij de instructies van de fabrikant dienen te worden gevolgd.

Houd ventilatieopeningen, zowel in de behuizing van de machine als in de inbouwstructuur, vrij van obstakels.

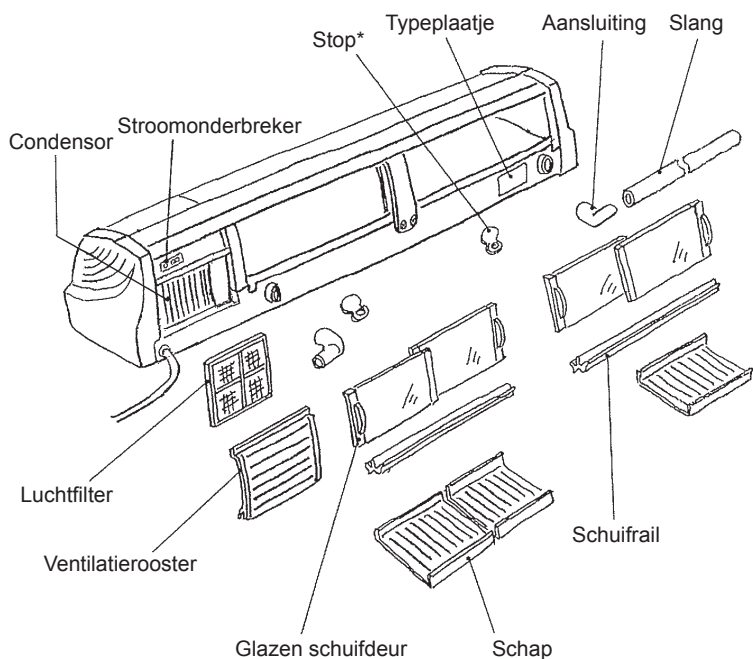
Bij het gebruik van elektrische apparaten moeten bepaalde regels in acht worden genomen. In het bijzonder:

- \* Vocht en hoge luchtvochtigheid verhogen de kans op kortsluiting en elektrische schokken. Trek de stekker van de vitrine uit het stopcontact als u niet zeker bent van de condities in de ruimte waar de vitrine is geplaatst.
- \* Voorkom beschadiging van de voedingskabel en trek uitsluitend aan de stekker en niet aan de voedingskabel zelf als u de vitrine van de netvoeding wilt loskoppelen.
- \* Wanneer de netvoedingskabel en/of stekker moet worden vervangen, mag dit ter vermindering van gevaarlijke situaties alleen worden gedaan door een erkende onderhoudsmonteur.
- \* Raak de elektrische onderdelen of de schakelaars niet met vochtige handen aan.
- \* Dit apparaat is niet bedoeld voor gebruik door kinderen jonger dan 8 jaar of personen met verminderde fysieke, zintuiglijke of geestelijke capaciteiten, of een gebrek aan ervaring en kennis, tenzij dit gebeurt onder toezicht of na het verkrijgen van instructies met betrekking tot het veilige gebruik van het apparaat en de persoon begrijpt welke gevaren aan het gebruik zijn verbonden.
- \* Kinderen mogen niet met het apparaat spelen.
- \* Reiniging en gebruikersonderhoud mag niet zonder toezicht door kinderen worden uitgevoerd.
- \* Probeer niet de vitrine aan te passen. Alleen bevoegd personeel mag het apparaat demonteren of repareren.
- \* Gebruik het apparaat niet om vluchtige of ontvlambare stoffen (zoals benzine, ether, kleefstoffen en LPG) of explosieve stoffen (zoals spuitbussen met ontvlambaar drijfgas) in te bewaren.

# NEDERLANDS

## I. ALGEMENE INFORMATIE

### 1. CONSTRUCTIE



\*Opmerking: Bevestig altijd de twee stoppen in de afvoeropeningen van de vitrine.

Afb. 1

## II. AANWIJZINGEN VOOR INSTALLATIE EN GEBRUIK

### 1. CONTROLES VÓÓR DE INSTALLATIE

\*Voer een visuele inspectie uit van de buitenkant van de verzendcontainer en meld eventuele zware schade aan de vrachtvervoerder.

#### WAARSCHUWING

Verwijder kartonnen doos, verdamperbus, tape en ander verpakkingsmateriaal. Als er verpakkingsmateriaal achterblijft in de vitrine, werkt deze niet goed.

#### BELANGRIJK

Verwijder de transporttape waarmee de deur is bevestigd.

\* Verwijder het pakket met de accessoires.

\* Raadpleeg het typeplaatje aan de achterzijde van de vitrine en controleer of uw voltage overeenkomt met het voltage dat wordt aangegeven op het typeplaatje.

## 2. PLAATSING

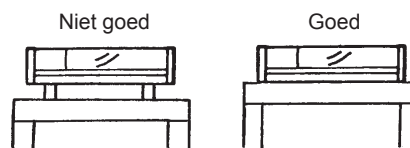
### BELANGRIJK

Deze vitrine is niet bestemd voor gebruik buitenshuis. De normale omgevingstemperatuur moet tussen 10 °C en 30 °C liggen. Bediening van de vitrine gedurende langere perioden buiten dit normale temperatuurbereik kan de koelprestaties beïnvloeden.

Houd u aan de volgende richtlijnen voor de beste gebruikresultaten:

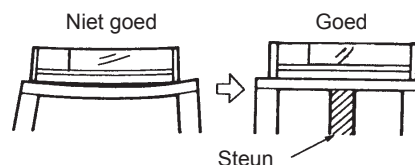
\* De vitrine mag niet naast een oven, grill of andere apparatuur die veel warmte afgeeft worden geplaatst.

\* De locatie dient een solide ondergrond te bieden voor de gehele onderkant van de apparatuur. Oneffenheden of achtergebleven verpakkingsmateriaal waardoor er slechts gedeeltelijk contact is kunnen ertoe leiden dat de vitrine beschadigd of misvormd raakt. Hierdoor kunnen storingen optreden. De vitrine moet altijd waterpas staan, zowel aan de zijkanten als voor en achter.



Afb. 2

Als de ondergrond niet stevig genoeg is, kan deze krom trekken waardoor er ruimte ontstaat tussen het midden van de ondergrond en de onderkant van de vitrine. Voeg in dat geval extra ondersteuning toe om de ondergrond vlak te houden.

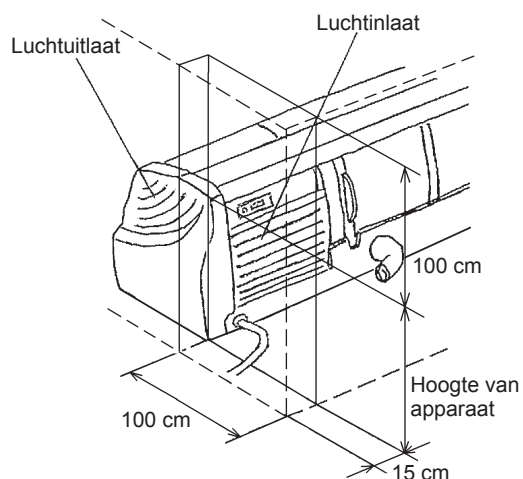


Afb. 3

\* Vermijd een locatie waar druppelvorming niet is toegestaan.

\* Stel de vitrine niet bloot aan direct zonlicht of hogere temperaturen om schade aan de kunststof behuizing te voorkomen.

\* Zorg ervoor dat er een vrije ruimte van minimaal 15 cm is tussen de luchtuitlaat van de condensor en de muur of andere apparatuur om een goede luchtcirculatie te waarborgen. De achter- en bovenzijde van de vitrine moet voldoende ruimte hebben (ten minste 100 cm) voor goede luchtcirculatie en gemakkelijke bediening.



Afb. 4

### 3. INSTALLATIE

#### BELANGRIJK

Houd de vitrine bij het dragen vast aan de onderkant.

- 1) Pak de vitrine uit en verwijder al het karton, de verdamperbus, tape en ander verpakkingsmateriaal VOORDAT u het apparaat bedient. Zorg ervoor dat u de buitenkant niet beschadigt wanneer u de vitrine hanteert.
- 2) Stel de vitrine op de gewenste plaats op. Reinig het interieur met water en zeep en spoel grondig na.
- 3) Zet de vitrine waterpas in zowel breedte- (van links naar rechts) als lengterichting (van voren naar achteren).
- 4) De kant van de machine waar deze de toonbank raakt moet met siliconen worden afgekit.

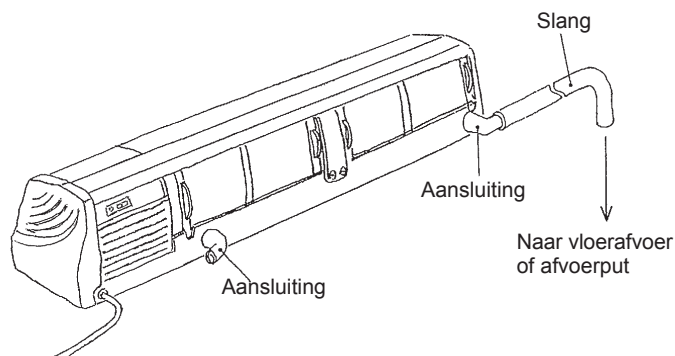
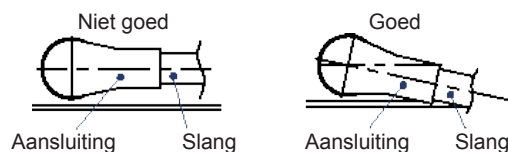
### 4. ELEKTRISCHE AANSLUITINGEN

De vitrine moet worden aangesloten op een apart stopcontact met voldoende capaciteit. De maximaal toegestane spanningsverandering mag niet meer zijn dan  $\pm 6$  procent van de waarde die staat vermeld op het typeplaatje. Raadpleeg het typeplaatje.

### 5. AFVOERAANSLUITINGEN

- \* De slang kan worden aangesloten op de linker- of rechteraansluiting, al naar gelang wat handiger is.
- \* De aansluiting moet zoals in de afbeelding hieronder worden gedraaid om de slangaansluiting naar beneden te richten.

- \* Houd een luchtruimte van meer dan 5 cm aan tussen de verticale afvoerleiding en de afvoerput.



Afb. 5

### 6. EINDCONTROLE

- 1) Staat de vitrine waterpas?
- 2) Bevindt de vitrine zich op een locatie waar de omgevingstemperatuur het hele jaar 10 °C tot 30 °C is?
- 3) Is alle transportverpakking (karton, verdamperbus, tape, enz.) van en uit de vitrine verwijderd?
- 4) Zijn alle elektrische aansluitingen en leidingverbindingen (goed) aangebracht?
- 5) Is de voedingsspanning gecontroleerd en komt die overeen met de gegevens op het typeplaatje?
- 6) Heeft de gebruiker de gebruiksaanwijzing ontvangen en is deze geïnstrueerd in het gebruik van de vitrine en op de hoogte gesteld van het belang van het aanbevolen periodieke onderhoud?
- 7) Heeft de gebruiker de naam en het telefoonnummer ontvangen van het geautoriseerde servicebedrijf?

### 7. OPSTARTEN

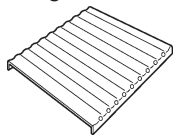
#### BELANGRIJK

1. Zorg dat er geen water in het machinecompartiment en aan de buitenzijde terecht komt. Dit kan tot gevaar voor elektrische schokken leiden.
2. Zorg dat u de vitrine vooraf koelt voordat u er voedingsmiddelen in plaatst. Plaats alleen producten in de vitrine die reeds gekoeld

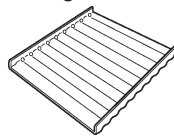
zijn. Het duurt langer om voedingsmiddelen te koelen in de vitrine dan in een koelkast. Verplaats de voedingsmiddelen elke dag na gebruik naar een koelkast.

3. Open de deuren alleen wanneer dit nodig is en laat ze niet openstaan aangezien dit ervoor kan zorgen dat de temperatuur stijgt en de voedingsmiddelen bederven.
4. Verwijder voordat u de vitrine uitschakelt om deze te ontdooien de producten uit de vitrine om ze te beschermen tegen druppels ontdooingswater.
5. Het is normaal om condensatie te vinden op de vitrine in vochtig of regenachtig weer. Veeg de condensatie met enige regelmaat weg met een zachte doek.
6. Beheer de temperatuur van de voedingsmiddelen door de schappen als volgt te plaatsen:

Normale staat of  
wanneer producttemp.  
te laag is

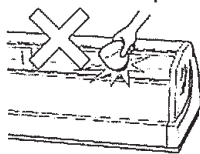


Voor intensievere  
koeling

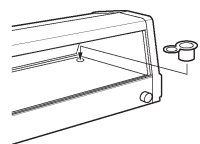


7. De maximale veilige hoogte voor het uitstellen van voedingsmiddelen is 9 cm boven de binnenbodem. Voedingsmiddelen moeten niet boven deze hoogte worden geplaatst. Mogelijk blijven de producten niet koud genoeg om bederf te voorkomen.
8. Als de vitrine is uitgeschakeld, moet u ten minste 3 minuten wachten voordat u de vitrine opnieuw inschakelt. Anders kan de motortemperatuurbeveiliging in werking treden, waardoor ontdooingswater op de producten in de vitrine kan druppelen. De motortemperatuurbeveiliging wordt na 30 minuten automatisch gereset.

9. Voorkom schade aan de glazen onderdelen door geen tafelgerei, flessen of scherpe gereedschappen direct op de glazen oppervlakken te plaatsen. Zelfs een klein krasje kan (een paar dagen) later een barst worden.



10. De aftappluggen moeten altijd in de afvoeren links en rechts onder de schappen zijn bevestigd om te voorkomen dat er tijdens bedrijf ongedierte in de vitrine komt.



- 1) Reinig de binnenkant van de vitrine.
  - 2) Sluit de vitrine aan en schakel de stroomonderbreker in.
- \* Als de vitrine niet in gebruik is, droogt u deze zorgvuldig en slaat u deze op een droge plaats op.

### III. AANWIJZINGEN VOOR REINIGING EN ONDERHOUD

#### BELANGRIJK

1. Verwijder de stekker uit het stopcontact voordat u schoonmaak- of onderhoudsactiviteiten gaat uitvoeren.
2. Demonteer de vitrine niet verder dan aangegeven in afbeelding 1.
3. Raak de onderdelen van het machinecompartment niet aan en maak ze niet nat. Dit kan leiden tot storingen of defecten.
4. Voorkom mogelijke schade door de kunststof onderdelen niet met water warmer dan 40 °C of in een afwasmachine te reinigen.

#### 1. BINNENKANT/BUITENKANT

- \* Reinig de binnenkant en de schappen dagelijks om een hygiënisch gebruik te waarborgen.
- \* Veeg de buitenkant schoon met een zachte doek die in warm water met een neutraal schoonmaakmiddel is gedompeld en vervolgens uitgewrongen. Gebruik geen waterstraal om de buitenkant schoon te maken.
- \* Gebruik alleen een neutraal schoonmaakmiddel. Andere chemische middelen kunnen de oppervlakken aan de binnen- en buitenkant beschadigen.

Opmerking: Voorkom schade aan de oppervlakken en de laklaag op de verdamperkast door geen schuursponsje op de oppervlakken aan de binnen- en buitenkant te gebruiken.

#### 2. REINIGING VAN DE AFVOERPIJP

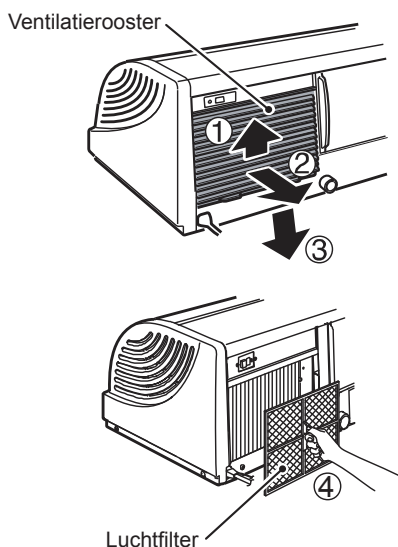
- 1) Meng 1 liter water met 3,7 ml 5,25% natriumhypochlorietoplossing in een geschikte houder of gebruik een door Hoshizaki aanbevolen ontsmettingsmiddel.
- 2) Ontkoppel de slang van de aansluiting.

- 3) Draai de uiteinden van de twee aansluitingen omhoog.
- 4) Giet vanaf de aansluitingen langzaam het ontsmettingsmiddel in het afvoerwatercircuit.
- 5) Wacht 5 minuten en draai de uiteinden van de aansluitingen omlaag om het middel af te voeren.
- 6) Laat het afvoerwatercircuit drogen.

### 3. LUCHTFILTER

Het kunststof luchtfilter haalt vuil en stof uit de lucht en voorkomt dat de condensor verstopt raakt. Als het filter steeds meer verstopt raakt, gaat de vitrine minder goed werken. Controleer het filter minstens tweemaal per maand. Als het filter vervuild is, gebruik dan warm water in combinatie met een neutraal schoonmaakmiddel om het filter schoon te maken.

- 1) Houd de lipjes onderaan het ventilatorrooster vast en til ze op om het rooster los te maken van de behuizing.
- 2) Trek het ventilatorrooster naar u toe.
- 3) Trek het ventilatorrooster er naar beneden uit.
- 4) Pak het frame van het luchtfilter vast en trek dit naar u toe.
- 5) Reinig het luchtfilter.
- 6) Plaats het luchtfilter en het ventilatorrooster in de omgekeerde volgorde van de verwijderingsprocedure terug.



**Afb. 6**

### 4. CONDENSOR

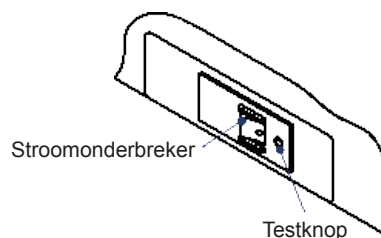
#### BELANGRIJK

Raak de vinnen van de condensor niet met uw handen aan om mogelijk letsel te voorkomen. Reinig de condensor met een borstel of een stofzuiger.

Controleer de condensor eenmaal per jaar en reinig deze indien nodig met een borstel of een stofzuiger. Afhankelijk van de locatie van de vitrine moet de reinigingsfrequentie eventueel worden aangepast.

### 5. STROOMONDERBREKER CONTROLEREN

Druk minstens een keer per maand op de testknop om een aardlek in het stroomcircuit te simuleren.



**Afb. 7**

### IV. GARANTIE

Hoshizaki garandeert de oorspronkelijke eigenaar/gebruiker dat alle producten van het merk Hoshizaki vrij zijn van materiaal- en/of productiefouten voor de duur van de "garantieperiode". De garantie is één jaar geldig gerekend vanaf de installatiedatum. De aansprakelijkheid van Hoshizaki in het kader van de garantie is beperkt en omvat geen routineonderhoud, reiniging, essentieel onderhoud en/of reparaties ten gevolge van onjuist gebruik en installaties die niet volgens de richtlijnen van Hoshizaki zijn uitgevoerd.

Reparaties in het kader van de garantie moeten worden uitgevoerd door een goedgekeurde Hoshizaki-dealer of serviceorganisatie met behulp van authentieke Hoshizaki-onderdelen.

Voor volledige informatie over uw garantie en over goedgekeurde servicebedrijven, raadpleegt u uw dealer/leverancier of de dichtstbijzijnde vestiging van Hoshizaki.

Europa, Midden-Oosten, Afrika

Hoshizaki UK - Verenigd Koninkrijk, Ierland  
 TEL: +44 845 456 0585  
 FAX: +44 132 283 8331  
 uksales@hoshizaki.co.uk



# NEDERLANDS

Hoshizaki Deutschland - Duitsland, Zwitserland, Oostenrijk  
TEL: +49 2154 92810  
FAX: +49 2154 928128  
info@hoshizaki.de

Hoshizaki France - Frankrijk  
TEL: +33 1 48 63 93 80  
FAX: +33 1 48 63 93 88  
info@hoshizaki.fr

Hoshizaki Iberia - Spanje, Portugal  
TEL: +34 93 478 09 52  
FAX: +34 93 478 08 00  
info@hoshizaki.es

Hoshizaki Middle East - Midden-Oosten  
TEL: +971 48 876 612  
FAX: +971 48 876 613  
sales@hoshizaki.ae

Hoshizaki Nederland & België - Nederland, België, Luxemburg  
TEL: +31 20 5650420 (Nederland)  
TEL: +32 2 712 30 30 (België)  
FAX: +31 20 6918768  
sales@hoshizaki.nl (Nederland)  
info@hoshizaki.be (België)

Hoshizaki Europe B.V. - alle andere Europese landen en Afrika  
TEL: +31 20 6918499  
FAX: +31 20 6918768  
sales@hoshizaki.nl

## Azië, Oceanië

Hoshizaki Singapore  
TEL: +65 6225 2612  
FAX: +65 6225 3219

Hoshizaki Taiwan  
TEL: +886 2 2748 1589  
FAX: +886 2 2747 1559

Hoshizaki Hong Kong  
TEL: +852 2866-2108  
FAX: +852 2866-2109

Hoshizaki Lancer  
TEL: +61 8 8268 1388  
FAX: +61 8 8268 1978

## V. VERWIJDERING

Houd u aan de lokale voorschriften met betrekking tot de verwijdering van het apparaat wat betreft ontvlambaar koelmiddel. Verwijder voordat u het apparaat afvoert de klep, om te voorkomen dat kinderen beklemd kunnen raken.

Juiste verwijdering van dit product:

Deze markering geeft aan dat dit product binnen de EU niet samen met ander huishoudelijk afval mag worden afgevoerd. Teneinde mogelijke milieuschade of schade aan de menselijke gezondheid ten gevolge van ongecontroleerde afvoer van afvalstoffen te vermijden, dient u het apparaat op verantwoorde wijze te recyclen om het duurzame hergebruik van materialen mogelijk te maken. U kunt uw gebruikte apparaat terugsturen via de bestaande systemen voor retournering en inzameling, of u kunt contact opnemen met de detailhandelaar waar het product is aangeschaft. Zij kunnen dit product innen voor milieuveilige recycling.



**Dit product bevat een hermetisch afgesloten koelsysteem dat gefluorineerde broeikasgassen bevatten waarop het Kyoto-protocol van toepassing is:**

HNC-120BE-L/R-B	R134a / GWP 1430 / 0,08 kg
HNC-150BE-L/R-B	R134a / GWP 1430 / 0,11 kg
HNC-180BE-L/R-B	R134a / GWP 1430 / 0,14 kg
HNC-210BE-L/R-B	R134a / GWP 1430 / 0,16 kg
HNC-120BE-L/R-S	R134a / GWP 1430 / 0,08 kg
HNC-150BE-L/R-S	R134a / GWP 1430 / 0,11 kg
HNC-180BE-L/R-S	R134a / GWP 1430 / 0,14 kg
HNC-210BE-L/R-S	R134a / GWP 1430 / 0,16 kg

**Dit product is geïsoleerd met schuim dat is geblazen met behulp van gefluorineerde broeikasgassen.**

**Dit product voldoet aan de essentiële gezondheids- en veiligheidsvereisten die worden gespecificeerd in de volgende voorschriften:**

**EMC-richtlijn (2004/108/EG)  
Laagspanningsrichtlijn (2006/95/EG)  
RoHS-richtlijn (2011/65/EU)**

**Geautoriseerde vertegenwoordiger:  
Hoshizaki Europe B.V.  
Keienbergweg 50 C/D, 1101 GC Amsterdam,  
Nederland**



## INFORMACIÓN IMPORTANTE DE SEGURIDAD

A lo largo de este manual aparecerán avisos para llamar su atención sobre situaciones que podrían tener como consecuencia la muerte, heridas graves o daños en la unidad.

<b>ADVERTENCIA</b>	Indica una situación peligrosa que, de no evitarse, podría tener como resultado la muerte o heridas graves.
<b>ATENCIÓN</b>	Indica una situación peligrosa que, de no evitarse, podría tener como resultado heridas leves o moderadas.
<b>AVISO</b>	Indica una situación peligrosa que, de no evitarse, podría tener como resultado daños en la unidad.
<b>HIGIENE</b>	Indica precauciones importantes para la higiene y la seguridad de la comida.
<b>IMPORTANTE</b>	Indica información importante acerca del uso y el cuidado de la unidad.

### IMPORTANTE

Este folleto es una parte integral y esencial del producto y el usuario debe guardarlo en buenas condiciones.

Por favor, lea atentamente las indicaciones y observaciones de este folleto que tratan de ofrecer al instalador/usuario toda la información esencial para la instalación correcta, el uso seguro y el mantenimiento del producto.

Por favor, guarde este folleto para cualquier futura consulta que sea necesaria.

### ADVERTENCIA

Esta vitrina para mostrador sólo debe utilizarse para los fines para los que ha sido expresamente diseñada.

Cualquier otra utilización deberá considerarse inadecuada y, por lo tanto, potencialmente peligrosa. El fabricante no será responsable de ningún daño causado por un uso incorrecto, inadecuado o irracional.

**La instalación y, si fuera necesario, la reubicación, deben ser realizadas únicamente por personal cualificado**, de acuerdo con la normativa vigente y con las instrucciones del fabricante.

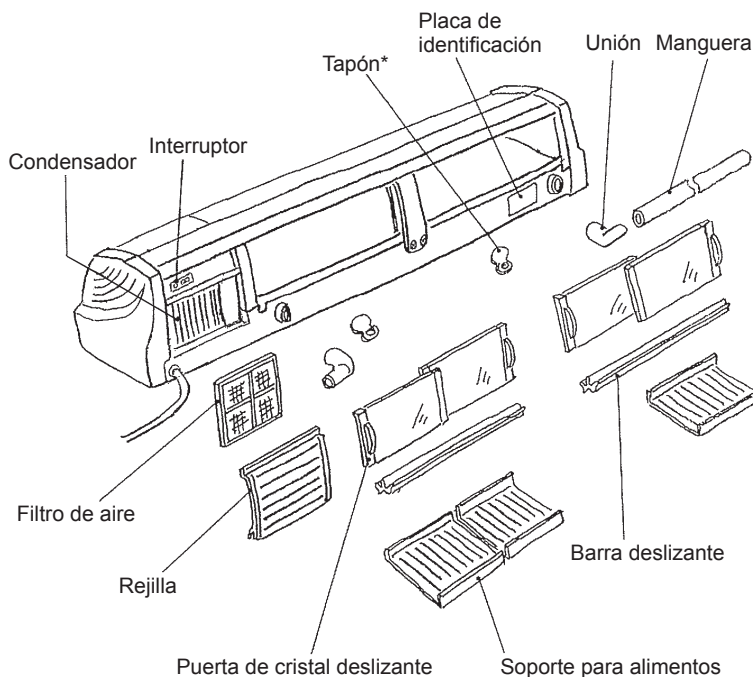
Mantenga los orificios de ventilación, de la carcasa de la máquina o de la estructura integrada, libres de cualquier obstrucción.

El uso de cualquier aparato eléctrico requiere tener presentes algunas normas fundamentales. En particular:

- \* Un alto grado de humedad incrementa el riesgo potencial de cortocircuitos y de descargas eléctricas. En caso de duda, desconecte la vitrina.
- \* No dañe el cable de alimentación eléctrica ni tire de este para desconectar la vitrina de la red eléctrica.
- \* En caso de que sea necesario sustituir el cable de alimentación y el enchufe, esto debe ser realizado únicamente por un técnico de mantenimiento cualificado a fin de evitar cualquier peligro.
- \* No toque las partes eléctricas ni manipule los interruptores con las manos húmedas.
- \* Este equipo se puede utilizar por niños de 8 años o más y por personas con capacidades físicas, sensoriales o mentales reducidas, o bien por personas que carecen de experiencia o conocimientos adecuados, con tal de que se les supervise y hayan recibido instrucciones acerca del uso seguro del equipo y se les haya informado sobre los peligros potenciales.
- \* Los niños no deben jugar con el equipo.
- \* Los niños sin supervisión no deben realizar la limpieza ni el mantenimiento de usuario.
- \* No trate de modificar la vitrina. El desmontaje o la reparación de la máquina solo debe ser realizado por personal cualificado.
- \* No guarde sustancias volátiles o inflamables, como bencina, éter, pegamentos o GLP, ni sustancias explosivas, como aerosoles con gas propelente inflamable, en la unidad.

## I. INFORMACIÓN GENERAL

### 1. CONSTRUCCIÓN



\*Nota: Instale siempre los dos tapones en los orificios de drenaje situados en la vitrina.

**Ilust. 1**

## II. INSTRUCCIONES DE INSTALACIÓN Y FUNCIONAMIENTO

### 1. COMPROBACIONES PREVIAS A LA INSTALACIÓN

\* Inspeccione visualmente el exterior del contenedor para transporte e informe al transportista de los daños importantes que detecte.

#### ADVERTENCIA

Retire la caja de transporte, el espaciador del evaporador, la(s) cinta(s) y el embalaje. La vitrina no funcionará correctamente si no se retira el material de embalaje.

#### IMPORTANTE

Retire la cinta de embalaje que sujeta la puerta.

\* Retire el embalaje que contiene los accesorios.

\* Observe la placa de características en la parte posterior de la vitrina y compruebe que el voltaje de alimentación coincide con el que se especifica en la misma.

## 2. UBICACIÓN

### IMPORTANTE

Esta vitrina no está diseñada para uso en el exterior. La temperatura ambiente normal de funcionamiento debe oscilar entre 10 °C y 30 °C. El funcionamiento de la vitrina, durante periodos prolongados, fuera de este intervalo de temperatura normal puede afectar al rendimiento de la refrigeración.

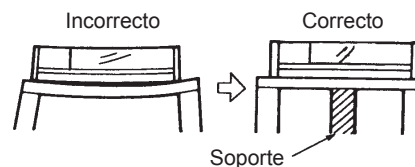
Para obtener resultados de funcionamiento óptimos:

- \* La vitrina no debe colocarse cerca de hornos, parrillas u otras fuentes de calor.
- \* El equipo debe colocarse sobre una base firme en toda la superficie inferior. Cualquier irregularidad o inserción del embalaje que provoque sólo el contacto parcial podría dañar o deformar la caja, lo que produciría una avería. La vitrina deberá estar siempre nivelada, tanto respecto del eje lateral como del anteroposterior.



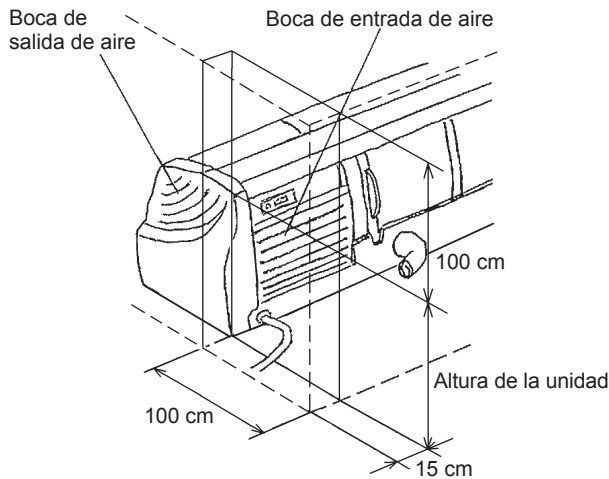
**Ilust. 2**

Si la base no es lo suficientemente firme, podría deformarse y crear espacio entre su parte central y la parte inferior de la vitrina. En este caso, proporcione un soporte para mantener el nivel de la base.



**Ilust. 3**

- \* Evite la instalación en lugares donde la formación de gotas no esté permitida.
- \* No exponga la vitrina a la luz solar directa ni a temperaturas elevadas para impedir que se produzcan daños en la carcasa de plástico.
- \* Para permitir una correcta circulación de aire, deje un espacio mínimo de 15 cm entre la salida de aire del condensador y la pared u otro aparato. La parte posterior y la parte superior de la vitrina deberán tener bastante espacio (por lo menos 100 cm) para permitir una correcta circulación del aire y un funcionamiento fluido.



Ilust. 4

### 3. MONTAJE

#### IMPORTANTE

Transporte la vitrina sujetándola por la parte inferior.

- 1) Desembale la vitrina y retire los cartones de embalaje, el espaciador del evaporador, las cintas y cualquier otro embalaje ANTES de poner en funcionamiento la unidad. Tenga precaución de no dañar los paneles exteriores mientras maneja la vitrina.
- 2) Coloque la vitrina en el lugar seleccionado. Limpie el interior con jabón y agua, y aclare abundantemente.
- 3) Nivele la vitrina tanto respecto del eje lateral como del anteroposterior.
- 4) El perímetro donde la máquina toca el mostrador debe sellarse con silicona.

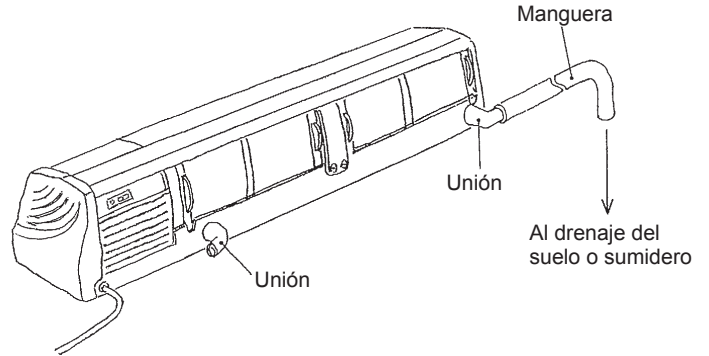
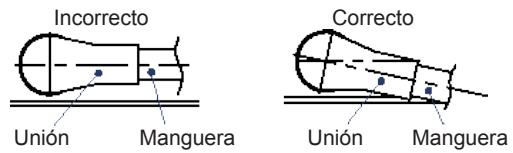
### 4. CONEXIONES ELÉCTRICAS

Esta vitrina debe conectarse a un enchufe independiente con capacidad suficiente. La variación máxima de tensión permisible no deberá exceder  $\pm 6\%$  las condiciones nominales indicadas en la placa de características. Véase la placa de características.

### 5. CONEXIONES DE DRENAJE

- \* La manguera puede estar conectada tanto a la unión derecha, como a la izquierda, según sea necesario.
- \* La unión debe estar inclinada, como se muestra a continuación, para que la conexión de la manguera esté dirigida hacia abajo.

- \* Mantenga un hueco de aire de más de 5 cm entre el tubo de drenaje y el sumidero.



Ilust. 5

### 6. LISTA DE COMPROBACIONES FINALES

- 1) ¿Está nivelada la vitrina?
- 2) ¿Está la vitrina en un lugar en el que la temperatura ambiente oscila entre 10 °C y 30 °C durante todo el año?
- 3) ¿Se ha retirado la caja de transporte, el espaciador del evaporador, la(s) cinta(s) y el embalaje de la vitrina?
- 4) ¿Se han efectuado todas las conexiones eléctricas y de tubos?
- 5) ¿Se ha comprobado que la tensión de la red eléctrica coincide con la que figura en la placa de identificación de la máquina?
- 6) ¿Se ha entregado el manual de instrucciones al usuario y se le ha enseñado a utilizar correctamente la vitrina así como informado de la importancia de las operaciones de mantenimiento periódicas?
- 7) ¿Se ha dado al usuario el nombre y el número de teléfono del taller de servicio autorizado?

### 7. PUESTA EN MARCHA

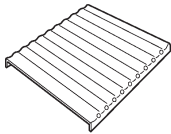
#### IMPORTANTE

1. Asegúrese que no entre agua en el compartimento de la máquina ni se moje la parte exterior de esta. Esto puede provocar riesgo de descargas eléctricas.
2. Asegúrese de enfriar previamente la vitrina antes de colocar dentro alimentos. Almacene

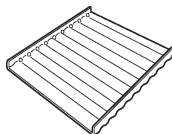
en la vitrina sólo productos prerrefrigerados. Los alimentos tardan más en enfriarse en la vitrina que en el refrigerador. Traslade los alimentos a un refrigerador fuera de horas de trabajo.

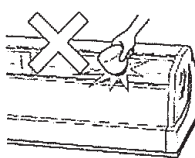
3. Abra las puertas sólo cuando sea necesario y no las deje abiertas, ya que la temperatura interior puede elevarse y provocar el deterioro de los alimentos.
4. Antes de desenchufar la vitrina para descongelarla, retire primero los productos del interior, para protegerlos del goteo de agua de descongelación.
5. Es habitual que se produzca condensación en la vitrina, en tiempo húmedo o lluvioso. Simplemente séquela de vez en cuando con un trapo suave.
6. Controle la temperatura de los alimentos colocando los correspondientes soportes de alimentos de la siguiente manera:

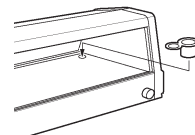
Funcionamiento normal  
o cuando la temperatura  
de los alimentos  
es demasiado baja



Para refrigeración  
más intensiva



7. La altura segura máxima para colocar los productos es de 9 cm por encima de la parte inferior interior. Los productos alimenticios no se deben colocar por encima de esta altura, ya que puede que no se enfríen lo suficiente para evitar su deterioro.
8. Si la vitrina está apagada, espere por lo menos 3 minutos antes de volver a encenderla. De lo contrario, puede encenderse el protector térmico del motor y ocasionar que el agua de descongelación gotee sobre los productos que se encuentren en el interior. El protector térmico del motor se restablecerá automáticamente en 30 minutos.
9. Para evitar daños en las piezas de cristal, no coloque ni golpee las superficies de cristal con platos, botellas o herramientas afiladas. Incluso el más mínimo defecto puede convertirse más adelante (unos días después) en una grieta. 
10. Para evitar la entrada de insectos u otros animales pequeños durante el

funcionamiento, las dos salidas de drenaje, a la derecha y a la izquierda, debajo de los soportes para alimentos, deben tener siempre montados los tapones de drenaje. 

- 1) Limpie el interior de la vitrina.
- 2) Enchufe la vitrina y encienda el interruptor.

\* Cuando no se esté utilizando, seque bien la vitrina y guárdela en un lugar seco.

### III. INSTRUCCIONES DE LIMPIEZA Y MANTENIMIENTO

#### — IMPORTANTE —

1. Antes de realizar operaciones de limpieza o de mantenimiento, desenchufe la vitrina.
2. No desmonte la vitrina de otra manera a la mostrada en la Ilus. 1.
3. No toque ni humedezca las piezas del compartimento de la máquina. Podría provocar fallos o estropear la máquina.
4. Para evitar cualquier daño posible, no limpie las piezas de plástico con agua a más de 40 °C ni en un lavavajillas.

#### 1. INTERIOR/EXTERIOR

- \* Limpie el interior y los soportes para alimentos diariamente, para mantener una higiene correcta.
- \* Limpie el exterior con un trapo suave empapado en agua tibia con detergente neutro y escurrido para que quede seco. No use agua a presión para limpiar el exterior.
- \* Utilice sólo un detergente neutro. Otros agente químicos podrían dañar las superficies interior y exterior.

Nota: Para evitar daños en las superficies de las piezas y el recubrimiento del evaporador, no utilice estropajo para la superficie interior ni exterior.

#### 2. LIMPIEZA DEL TUBO DE DRENAJE

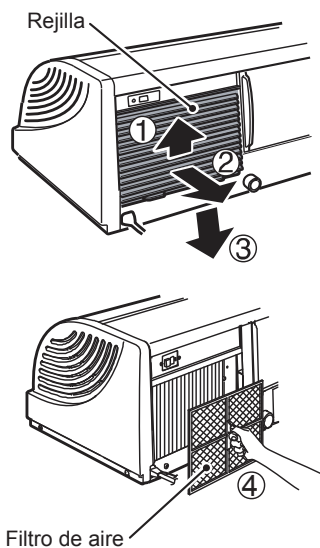
- 1) Mezcle 1 litro de agua con 3,7 ml de una solución de hipoclorito sódico al 5,25% en un recipiente adecuado, o bien utilice el esterilizador de agua recomendado por Hoshizaki siguiendo las instrucciones.

- 2) Desconecte la manguera de la unión.
- 3) Levante el extremo de las dos uniones.
- 4) Vierta lentamente la solución de esterilización en el circuito del agua de drenaje de las uniones.
- 5) Espere 5 minutos e incline el extremo de las uniones para drenar la solución.
- 6) Deje que se seque el circuito del agua de drenaje.

## 3. FILTRO DE AIRE

Un filtro de aire con malla de plástico elimina la suciedad o el polvo del aire y evita que el condensador se obstruya. A medida que el filtro se vaya obstruyendo, el rendimiento de la vitrina disminuirá. Compruebe el filtro al menos dos veces al mes. Cuando esté obstruido, utilice agua tibia y un detergente neutro para lavarlo.

- 1) Sujete las lengüetas situadas en la parte inferior de la rejilla y levántelas para sacar la rejilla de ventilación del cuerpo.
- 2) Tire de la rejilla hacia usted.
- 3) Retire la rejilla hacia abajo.
- 4) Sujete el marco del filtro de aire y retírelo tirando hacia usted.
- 5) Limpie el filtro de aire.
- 6) Vuelva a acoplar el filtro de aire y la rejilla en el orden inverso al procedimiento de extracción.



Ilust. 6

## 4. CONDENSADOR

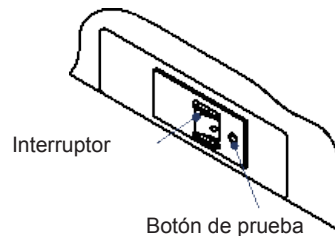
### IMPORTANTE

Para evitar posibles lesiones, no toque las aletas del condensador con las manos. Utilice un cepillo o una aspiradora para limpiar el condensador.

Compruebe el condensador una vez al año y límpielo si es necesario utilizando un cepillo o una aspiradora. Según sea el lugar en que esté situada la vitrina, es posible que sean necesarias limpiezas más frecuentes.

## 5. COMPROBACIÓN DEL INTERRUPTOR

Pulse el botón de prueba por lo menos una vez al mes para simular una pérdida a tierra en el circuito de carga.



Ilust. 7

## IV. GARANTÍA

Hoshizaki garantiza al usuario/propietario que ninguno de los productos de su marca presentarán defectos de material o mano de obra durante la duración del «periodo de garantía». La garantía será efectiva durante un año a partir de la fecha de instalación.

La responsabilidad de Hoshizaki según los términos de esta garantía es limitada y excluirá el servicio de rutina, la limpieza, el mantenimiento esencial y/o las reparaciones ocasionadas por uso incorrecto y por instalaciones que no se ajusten a las instrucciones de Hoshizaki.

Las reparaciones cubiertas por la garantía deberán ser realizadas por un distribuidor o centro de servicio homologado de Hoshizaki empleando componentes originales de Hoshizaki.

Para más detalles sobre la garantía y los centros de servicio homologados, póngase en contacto con su distribuidor/proveedor, o con la oficina de Servicio Técnico de Hoshizaki más próxima.

Europa, Medio Oriente, África

Hoshizaki UK - R.U., Irlanda  
TEL: +44 845 456 0585  
FAX: +44 132 283 8331  
uksales@hoshizaki.co.uk



Hoshizaki Deutschland - Alemania, Suiza, Austria  
 TEL: +49 2154 92810  
 FAX: +49 2154 928128  
 info@hoshizaki.de

Hoshizaki France - Francia  
 TEL: +33 1 48 63 93 80  
 FAX: +33 1 48 63 93 88  
 info@hoshizaki.fr

Hoshizaki Iberia - España, Portugal  
 TEL: +34 93 478 09 52  
 FAX: +34 93 478 08 00  
 info@hoshizaki.es

Hoshizaki Middle East - Medio Oriente  
 TEL: +971 48 876 612  
 FAX: +971 48 876 613  
 sales@hoshizaki.ae

Hoshizaki Nederland & België - Países Bajos, Bélgica, Luxemburgo  
 TEL: +31 20 5650420 (Nederland)  
 TEL: +32 2 712 30 30 (België)  
 FAX: +31 20 6918768  
 sales@hoshizaki.nl (Nederland)  
 info@hoshizaki.be (België)

Hoshizaki Europe B.V. - todos los demás países europeos y África  
 TEL: +31 20 6918499  
 FAX: +31 20 6918768  
 sales@hoshizaki.nl

## Asia, Oceanía

Hoshizaki Singapore  
 TEL: +65 6225 2612  
 FAX: +65 6225 3219

Hoshizaki Taiwan  
 TEL: +886 2 2748 1589  
 FAX: +886 2 2747 1559

Hoshizaki Hong Kong  
 TEL: +852 2866-2108  
 FAX: +852 2866-2109

Hoshizaki Lancer  
 TEL: +61 8 8268 1388  
 FAX: +61 8 8268 1978

Eliminación correcta de este producto:  
 Estas marcas indican que está prohibido eliminar este producto junto con otros desechos de uso doméstico en todo el territorio de la UE. Para evitar el posible daño al medioambiente o a la salud pública, provocado por la eliminación no controlada de desechos, recíclelos de forma responsable para fomentar la reutilización sostenible de los recursos materiales. Para devolver el dispositivo usado, utilice los sistemas de devolución y recogida o póngase en contacto con el punto de venta en el que adquirió el producto. El personal se encargará de que el producto se recicle respetando el medioambiente.



**Este producto incluye un sistema de refrigeración sellado herméticamente que contiene gases fluorados de efecto invernadero que cumplen con el Protocolo de Kyoto:**

HNC-120BE-L/R-B	R134a / GWP 1430 / 0,08 kg
HNC-150BE-L/R-B	R134a / GWP 1430 / 0,11 kg
HNC-180BE-L/R-B	R134a / GWP 1430 / 0,14 kg
HNC-210BE-L/R-B	R134a / GWP 1430 / 0,16 kg
HNC-120BE-L/R-S	R134a / GWP 1430 / 0,08 kg
HNC-150BE-L/R-S	R134a / GWP 1430 / 0,11 kg
HNC-180BE-L/R-S	R134a / GWP 1430 / 0,14 kg
HNC-210BE-L/R-S	R134a / GWP 1430 / 0,16 kg

**Este producto se ha aislado con espuma soplada con gases fluorados de efecto invernadero.**

**Este producto cumple con los requisitos básicos en cuanto a salud y seguridad requeridos por las siguientes normativas:**

**Directiva EMC (2004/108/CE)**  
**Directiva sobre bajo voltaje (2006/95/EC)**  
**Directiva sobre restricciones a la utilización de determinadas sustancias peligrosas en aparatos eléctricos y electrónicos (2011/65/EU)**

**Representante autorizado:**  
**Hoshizaki Europe B.V.**  
**Keienbergweg 50 C/D, 1101 GC Amsterdam,**  
**Países Bajos**

## V. ELIMINACIÓN

Siga las normativas locales relativas a la eliminación del refrigerante inflamable del equipo. Antes de desecharlo, quite la puerta para evitar que niños queden atrapados dentro jugando.

## INFORMAZIONI IMPORTANTI SULLA SICUREZZA

All'interno del manuale compaiono degli avvertimenti che intendono attirare l'attenzione dell'operatore su situazioni che potrebbero causarne la morte, lesioni gravi o danneggiare l'apparecchio.

<b>AVVERTENZA</b>	Indica una situazione pericolosa che, se non evitata, potrebbe causare la morte o lesioni gravi.
<b>ATTENZIONE</b>	Indica una situazione pericolosa che, se non evitata, potrebbe causare lesioni di lieve o media entità.
<b>AVVISO</b>	Indica una situazione pericolosa che, se non evitata, potrebbe causare danni all'unità.
<b>IGIENE</b>	Indica importanti precauzioni per l'igiene e la sicurezza alimentare.
<b>IMPORTANTE</b>	Indica informazioni importanti in merito all'uso e alla manutenzione dell'unità.

### IMPORTANTE

Il presente manuale è parte integrante e fondamentale del prodotto e deve essere conservato con cura dall'utente.

Si raccomanda di leggere con attenzione le indicazioni e le avvertenze ivi contenute, volte a fornire all'installatore/utente le informazioni fondamentali per la corretta installazione, l'utilizzo prolungato e la manutenzione del prodotto in condizioni di sicurezza.

Si raccomanda di conservare il presente manuale per eventuali necessità di consultazione future.

### AVVERTENZA

Questa è una vetrina espositiva da banco per uso industriale e deve essere utilizzata esclusivamente per gli impieghi per la quale è stata espressamente progettata. Qualunque altro impiego è da considerarsi improprio e pertanto pericoloso. La casa costruttrice declina ogni responsabilità per eventuali danni provocati da uso improprio, non corretto o sconsiderato.

**L'installazione e, se necessario, lo spostamento, devono essere eseguiti da personale specializzato**, in conformità alle norme vigenti e alle istruzioni della casa costruttrice.

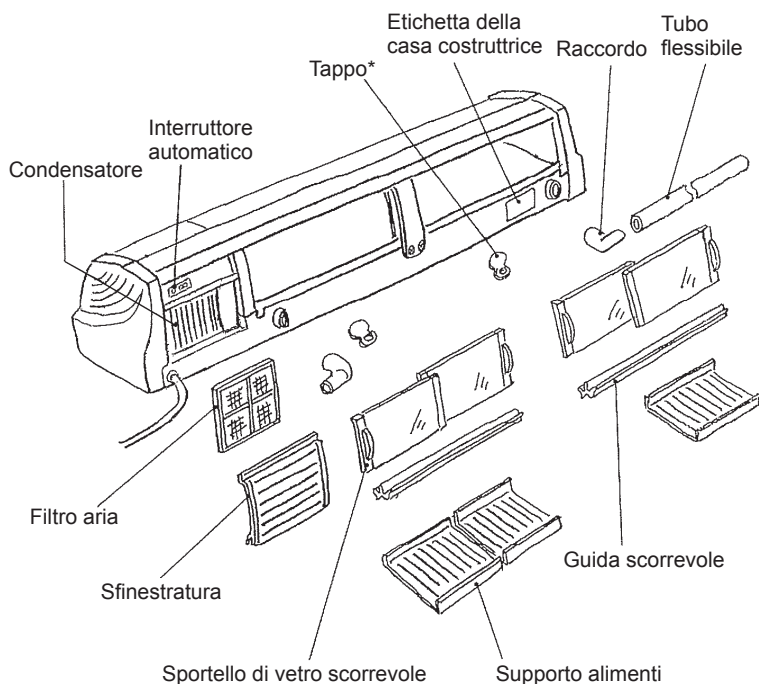
Mantenere prive di ostruzioni le aperture di ventilazione della custodia della macchina o della struttura incorporata.

L'utilizzo di qualsiasi apparecchio elettrico implica l'osservanza di alcune norme fondamentali. In particolare:

- \* Ubicando la macchina in ambienti ad alta umidità, si aumenta il rischio di cortocircuiti e di scosse elettriche. In caso di dubbi, disinserire la macchina.
- \* Non danneggiare il cavo dell'alimentazione elettrica né tirarlo per scollegare la spina della macchina dalla rete di alimentazione.
- \* All'occorrenza, il cavo di alimentazione elettrica e la spina devono essere sostituiti solo da personale di servizio qualificato, onde evitare qualunque rischio.
- \* Non toccare parti elettriche né gli interruttori con le mani bagnate.
- \* La macchina può essere utilizzata da persone (inclusi i bambini di età superiore agli 8 anni) con capacità fisiche, sensoriali e mentali ridotte o prive dell'esperienza e della conoscenza necessarie, nel caso in cui siano fornite la supervisione o le istruzioni relative all'utilizzo della macchina in modo sicuro e ne vengano compresi i rischi.
- \* I bambini non devono giocare con la macchina.
- \* La pulizia e la manutenzione da parte dell'utente non devono essere effettuate da bambini senza che venga loro fornita la supervisione.
- \* Non apportare modifiche alla macchina. Il disassemblaggio e la riparazione della macchina devono essere effettuati esclusivamente da personale qualificato.
- \* Non conservare sostanze volatili o infiammabili come ad esempio benzina, etere, adesivi e GPL, o qualsiasi altra sostanza esplosiva come le bombolette di aerosol con un propellente infiammabile nella macchina.

## I. INFORMAZIONI GENERALI

### 1. COMPONENTI



\*Nota: Applicare sempre i due tappi sui fori di scarico ubicati sulla vetrina espositiva.

**Fig. 1**

## II. ISTRUZIONI D'INSTALLAZIONE E DI ESERCIZIO

### 1. CONTROLLI PRECEDENTI ALL'INSTALLAZIONE

\* Eseguire il controllo visivo dell'esterno del contenitore d'imballaggio, per comunicare al vettore l'eventuale presenza di gravi danni.

#### AVVERTENZA

Togliere il cartone di spedizione, il distanziatore evaporatore, il nastro/i e l'imballaggio. La vetrina espositiva non funziona in modo corretto se non si rimuove tutto il materiale d'imballaggio.

#### IMPORTANTE

Togliere il nastro adesivo che fissa lo sportello.

- \* Rimuovere l'imballaggio contenente gli accessori.
- \* Verificare sull'etichetta della casa costruttrice, applicata sul retro della vetrina espositiva, che la tensione dell'impianto di alimentazione corrisponda a quella prescritta.

## 2. UBICAZIONE

### IMPORTANTE

La vetrina espositiva non è adatta per essere utilizzata all'aperto. La temperatura ambiente di funzionamento normale deve essere compresa tra 10°C e 30°C. Il funzionamento della vetrina espositiva, per periodi prolungati, al di fuori di questa gamma di temperatura normale potrebbe compromettere le prestazioni di raffreddamento.

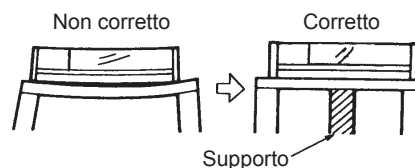
Per garantire un funzionamento ottimale:

- \* La vetrina espositiva non deve essere ubicata in prossimità di forni, grill o altri apparecchi che producono calore.
- \* L'ubicazione deve garantire alla macchina una base solida ampia quanto la sua superficie inferiore totale. Qualsiasi irregolarità o l'inserimento di spessori che causi solo un parziale contatto può provocare danni o deformazioni alla vetrina espositiva con conseguenti guasti. La vetrina espositiva deve sempre essere in posizione orizzontale sia lungo l'asse fra il lato destro e sinistro, sia lungo l'asse fra il lato anteriore e posteriore.



**Fig. 2**

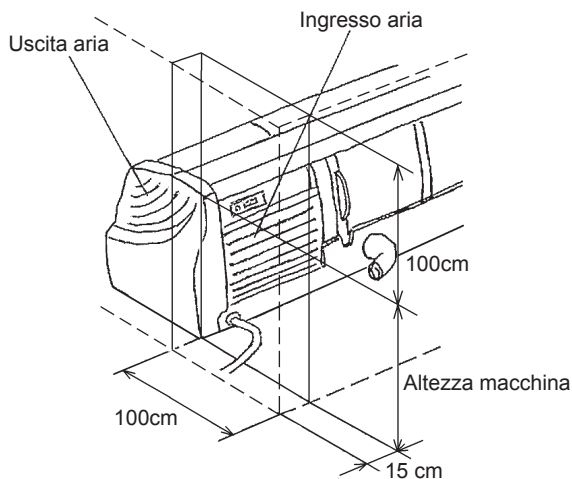
Se la base non è sufficientemente solida, potrebbe incurvarsi creando uno spazio tra la parte centrale e la parte inferiore della vetrina espositiva. In questo caso, inserire un supporto per mantenere la base in posizione orizzontale.



**Fig. 3**

- \* Escludere zone in cui sia impossibile il drenaggio.
- \* Non esporre la vetrina alla luce diretta del sole o a temperature elevate per evitare danni al rivestimento in plastica.
- \* Lasciare uno spazio di almeno 15 cm fra l'uscita aria del condensatore e la parete o altre macchine, per consentire un'opportuna circolazione dell'aria. Il retro e la parte superiore della vetrina espositiva devono avere sufficiente spazio (almeno 100 cm)

per consentire un'opportuna circolazione dell'aria e un funzionamento appropriato.



**Fig. 4**

### 3. INSTALLAZIONE

#### IMPORTANTE

Trasportare la vetrina espositiva sorreggendone il fondo.

- 1) Disimballare la vetrina espositiva e rimuovere il cartone di spedizione, il distanziatore evaporatore, i nastri e l'imballaggio PRIMA di azionare la macchina. Fare attenzione a non danneggiare i pannelli esterni quando si manipola la vetrina espositiva.
- 2) Posizionare la vetrina espositiva nel sito prescelto. Pulire l'interno con acqua saponata e sciacquare accuratamente.
- 3) Disporre la vetrina espositiva in posizione orizzontale lungo l'asse fra il lato destro e sinistro e l'asse fra il lato anteriore e posteriore.
- 4) Il perimetro lungo il quale la macchina è a contatto con il bancone deve essere sigillato con silicone.

### 4. COLLEGAMENTI ELETTRICI

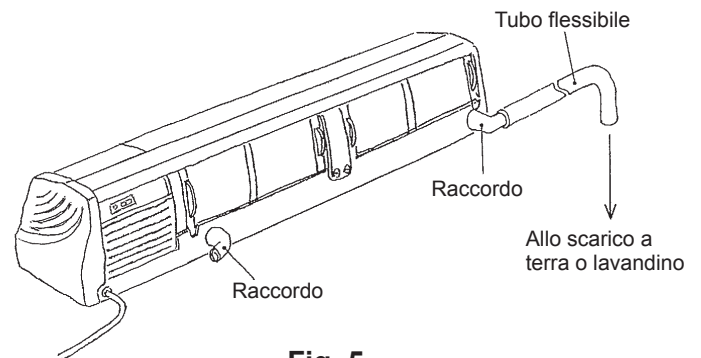
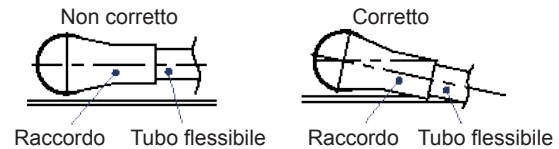
Questa vetrina espositiva deve essere collegata a una presa di corrente separata dotata di capacità sufficiente. La massima variazione di tensione consentita non deve superare  $\pm 6\%$  del valore riportato sull'etichetta della casa costruttrice. Si veda l'etichetta della casa costruttrice.

### 5. COLLEGAMENTI DI SCARICO

- \* Il tubo flessibile può essere collegato al raccordo di destra o di sinistra, a seconda di come risulta più pratico per l'utente.

- \* Il raccordo deve essere inclinato come illustrato di seguito per girare la connessione del tubo flessibile verso il basso.

- \* Mantenere una distanza superiore a 5 cm tra l'estremità del tubo di scarico verticale e il lavandino.



**Fig. 5**

### 6. ELENCO DI VERIFICA FINALE

- 1) La vetrina espositiva è in posizione orizzontale?
- 2) La vetrina espositiva si trova in un sito in cui la temperatura ambiente è compresa fra 10°C e 30°C nell'intero arco dell'anno?
- 3) Sono stati tolti dalla vetrina espositiva i cartoni di spedizione, il distanziatore evaporatore, i nastri e gli imballaggi vari?
- 4) Sono stati eseguiti tutti i collegamenti elettrici e gli allacciamenti alle tubature?
- 5) È stato eseguito il test dell'alimentazione elettrica? Equivale a quella sull'etichetta della casa costruttrice?
- 6) L'utente ha ricevuto il manuale di istruzioni e le relative indicazioni su come far funzionare la vetrina espositiva e sull'importanza della manutenzione periodica raccomandata?
- 7) Sono stati comunicati all'utente il nome e il numero di telefono del centro di assistenza autorizzato?

### 7. AVVIO

#### IMPORTANTE

1. Prestare attenzione a non versare acqua sullo scomparto motore e sulla parte esterna. Ciò può provocare il rischio di scosse elettriche.

2. Accertarsi di preraffreddare la vetrina espositiva prima di inserirvi gli alimenti. Conservare nella vetrina espositiva solo prodotti preraffreddati. Occorre più tempo per raffreddare gli alimenti nella vetrina espositiva piuttosto che nel refrigeratore. Al termine delle ore di servizio, spostare gli alimenti nel refrigeratore.

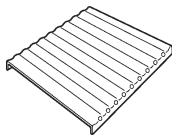
3. Aprire gli sportelli solo quando necessario e non lasciarli aperti, perché la temperatura interna potrebbe aumentare causando il deterioramento degli alimenti.

4. Prima di scollegare la vetrina espositiva per lo sbrinamento, rimuovere innanzitutto i prodotti all'interno per proteggerli da gocce di acqua scongelata.

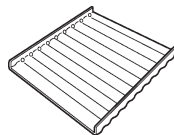
5. È normale trovare condensa sulla vetrina espositiva quando il tempo è umido o piovoso. Eliminarla semplicemente con un panno morbido di tanto in tanto.

6. Controllare la temperatura degli alimenti posizionando gli appositi supporti come segue:

Condizione normale o quando la temp. degli alimenti è troppo bassa



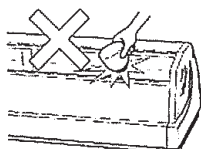
Per un raffreddamento più intenso



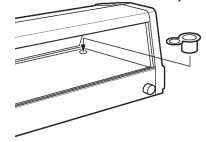
7. L'altezza di sicurezza massima per l'esposizione dei prodotti alimentari è 9 cm al di sopra della base interna. I prodotti alimentari non devono essere collocati oltre questa altezza, perché potrebbero non rimanere sufficientemente freddi per evitare il deperimento.

8. Se si spegne la vetrina espositiva, attendere almeno 3 minuti prima di riaccenderla. In caso contrario il dispositivo di protezione motore termosensibile potrebbe attivarsi e far scorrere l'acqua scongelata sui prodotti all'interno. Il dispositivo di protezione motore termosensibile si ripristinerà automaticamente in 30 minuti.

9. Per evitare danni alle parti di vetro, non posizionare o far cadere stoviglie, bottiglie o strumenti appuntiti direttamente sulle superfici di vetro. Anche una piccola incrinatura può successivamente trasformarsi in una rottura (anche alcuni giorni dopo).



10. Per evitare l'ingresso di parassiti durante il funzionamento, le due uscite di scarico, a destra e a sinistra sotto i supporti per gli alimenti, devono sempre avere i tappi di scarico inseriti.



1) Pulire l'interno della vetrina espositiva.

2) Collegare la vetrina espositiva all'alimentazione e premere l'interruttore automatico.

\* Quando non è in uso, asciugare accuratamente la vetrina espositiva e conservarla in un luogo asciutto.

### III. ISTRUZIONI DI MANUTENZIONE E DI PULIZIA

#### — IMPORTANTE —

1. Prima di eseguire qualsiasi operazione di pulizia o manutenzione, scollegare la vetrina espositiva dall'alimentazione.

2. Limitare le operazioni di disassemblaggio allo stadio rappresentato in Fig. 1.

3. Non toccare né bagnare i componenti dello scomparto motore. Ciò potrebbe provocare anomalie o guasti.

4. Per evitare possibili danni, non pulire le parti in plastica con acqua a una temperatura superiore a 40°C o in una lavastoviglie.

#### 1. INTERNO/ESTERNO

\* Pulire quotidianamente l'interno e i supporti per gli alimenti per un utilizzo igienico.

\* Pulire la parte esterna con un panno morbido bagnato in acqua tiepida contenente un detergente neutro e ben strizzato. Non utilizzare getti d'acqua per pulire la parte esterna.

\* Utilizzare solo detersivi neutri. Altri agenti chimici potrebbero danneggiare le superfici interne ed esterne.

Nota: Per evitare danni alle superfici e al rivestimento metallico dell'evaporatore, non utilizzare una paglietta sulle superfici interne/esterne.

#### 2. PULIZIA DEL TUBO DI SCARICO

1) Mescolare 1 litro d'acqua con 3,7 ml di soluzione



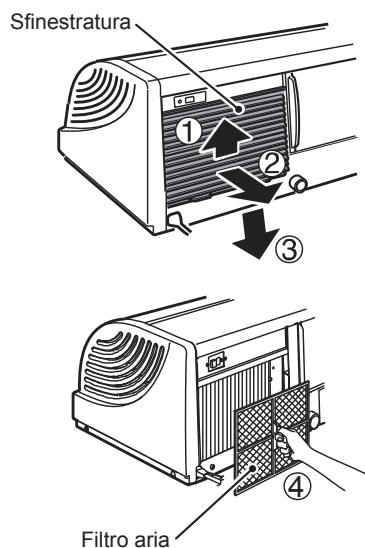
di ipoclorito di sodio al 5,25% in un contenitore idoneo, oppure la soluzione disinfettante Hoshizaki consigliata, come da istruzioni.

- 2) Scollegare il tubo flessibile dal raccordo.
- 3) Ruotare verso l'alto l'estremità dei due raccordi.
- 4) Versare lentamente la soluzione disinfettante nel circuito dell'acqua di scarico dai raccordi.
- 5) Attendere 5 minuti e ruotare verso il basso l'estremità dei raccordi per scaricare la soluzione.
- 6) Lasciare asciugare il circuito dell'acqua di scarico.

### 3. FILTRO DELL'ARIA

La macchina è dotata di un filtro dell'aria a maglia di plastica che serve a filtrare l'aria dalla sporcizia e dalla polvere, proteggendo così il condensatore da eventuali intasamenti. Con l'intasarsi del filtro, le prestazioni della vetrina espositiva si riducono. Controllare il filtro almeno due volte al mese. In caso di filtro intasato, per lavarlo, utilizzare acqua calda assieme ad una soluzione detergente neutra.

- 1) Tenere le linguette ubicate al fondo della sfinestratura e sollevarle per rilasciare la sfinestratura dal corpo.
- 2) Tirare la sfinestratura verso di sé.
- 3) Estrarre la sfinestratura verso il basso.
- 4) Afferrare il telaio del filtro dell'aria e tirarlo verso di sé per estrarlo.
- 5) Pulire il filtro dell'aria.
- 6) Rimontare il filtro dell'aria e la sfinestratura seguendo la procedura di rimozione nell'ordine inverso.



**Fig. 6**

### 4. CONDENSATORE

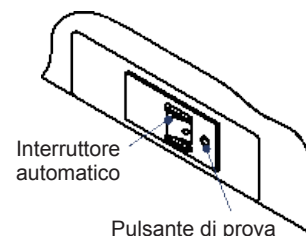
#### IMPORTANTE

Per evitare possibili lesioni, non toccare le alette del condensatore con le mani. Pulire il condensatore con una spazzola o un aspirapolvere.

Verificare il condensatore una volta all'anno e pulirlo, se necessario, utilizzando una spazzola o un aspirapolvere. Tuttavia può essere necessario effettuare pulizie più frequenti in funzione della collocazione della vetrina espositiva.

### 5. VERIFICA DELL'INTERRUTTORE AUTOMATICO

Premere il pulsante di prova almeno una volta al mese per simulare una perdita a terra sul circuito di carico.



**Fig. 7**

### IV. GARANZIA

Hoshizaki garantisce al proprietario o utente originario che tutti i prodotti con marchio Hoshizaki sono privi di difetti di costruzione o inerenti ai materiali per l'intera durata del "periodo di garanzia". La garanzia è valida per un anno dalla data di installazione.

La responsabilità di Hoshizaki secondo le condizioni della garanzia è limitata ed esclude la manutenzione di routine, la pulizia, la manutenzione essenziale e/o le riparazioni che si rendano necessarie in conseguenza di uso scorretto e di installazione non conforme alle indicazioni Hoshizaki.

Le riparazioni in garanzia devono essere eseguite da un rivenditore o da un centro di assistenza autorizzato Hoshizaki, che utilizzino componenti originali Hoshizaki.

Per ottenere informazioni complete in merito alla garanzia e al centro di assistenza autorizzato, si prega di contattare il proprio rivenditore/fornitore di fiducia, oppure l'ufficio assistenza Hoshizaki più vicino.

# ITALIANO

## Europa, Medio Oriente, Africa

Hoshizaki UK - Regno Unito, Irlanda  
TEL: +44 845 456 0585  
FAX: +44 132 283 8331  
uksales@hoshizaki.co.uk

Hoshizaki Deutschland - Germania, Svizzera, Austria  
TEL: +49 2154 92810  
FAX: +49 2154 928128  
info@hoshizaki.de

Hoshizaki France - Francia  
TEL: +33 1 48 63 93 80  
FAX: +33 1 48 63 93 88  
info@hoshizaki.fr

Hoshizaki Iberia - Spagna, Portogallo  
TEL: +34 93 478 09 52  
FAX: +34 93 478 08 00  
info@hoshizaki.es

Hoshizaki Middle East - Medio Oriente  
TEL: +971 48 876 612  
FAX: +971 48 876 613  
sales@hoshizaki.ae

Hoshizaki Nederland & België - Paesi Bassi, Belgio, Lussemburgo  
TEL: +31 20 5650420 (Nederland)  
TEL: +32 2 712 30 30 (België)  
FAX: +31 20 6918768  
sales@hoshizaki.nl (Nederland)  
info@hoshizaki.be (België)

Hoshizaki Europe B.V. - tutti gli altri paesi di Europa e Africa  
TEL: +31 20 6918499  
FAX: +31 20 6918768  
sales@hoshizaki.nl

## Asia, Oceania

Hoshizaki Singapore  
TEL: +65 6225 2612  
FAX: +65 6225 3219

Hoshizaki Taiwan  
TEL: +886 2 2748 1589  
FAX: +886 2 2747 1559

Hoshizaki Hong Kong  
TEL: +852 2866-2108  
FAX: +852 2866-2109

Hoshizaki Lancer  
TEL: +61 8 8268 1388  
FAX: +61 8 8268 1978

## V. SMALTIMENTO

Osservare le normative locali in materia di smaltimento della macchina per la presenza di refrigerante infiammabile. Prima di smaltire la macchina, rimuovere il portello per evitare che i bambini vi possano rimanere intrappolati.

Smaltimento corretto del prodotto:

Questo simbolo indica che il prodotto non deve essere smaltito con altri rifiuti domestici all'interno dell'UE. Per evitare possibili danni all'ambiente o alla salute derivanti dallo smaltimento incontrollato dei rifiuti, riciclare il prodotto in modo responsabile per promuovere il riutilizzo sostenibile delle risorse materiali. Per restituire la macchina usata, utilizzare i sistemi di restituzione e raccolta o contattare il rivenditore presso il quale è stato acquistato il prodotto. Il prodotto sarà ritirato in vista di un riciclaggio sicuro per l'ambiente.



**Il prodotto è dotato di un impianto refrigerante a tenuta ermetica contenente gas fluorurati a effetto serra inclusi nel Protocollo di Kyoto:**

HNC-120BE-L/R-B	R134a / GWP 1430 / 0,08kg
HNC-150BE-L/R-B	R134a / GWP 1430 / 0,11kg
HNC-180BE-L/R-B	R134a / GWP 1430 / 0,14kg
HNC-210BE-L/R-B	R134a / GWP 1430 / 0,16kg
HNC-120BE-L/R-S	R134a / GWP 1430 / 0,08kg
HNC-150BE-L/R-S	R134a / GWP 1430 / 0,11kg
HNC-180BE-L/R-S	R134a / GWP 1430 / 0,14kg
HNC-210BE-L/R-S	R134a / GWP 1430 / 0,16kg

**Il prodotto è isolato con schiumatura ottenuta con gas fluorurati a effetto serra.**

**Il prodotto soddisfa i requisiti principali in fatto di salute e sicurezza richiesti dalle normative seguenti:**

**Direttiva EMC (2004/108/CE)**  
**Direttiva sulla bassa tensione (2006/95/CE)**  
**Direttiva RoHS (2011/65/UE)**

**Rappresentante autorizzato:**  
**Hoshizaki Europe B.V.**  
**Keienbergweg 50 C/D, 1101 GC Amsterdam,**  
**Paesi Bassi**